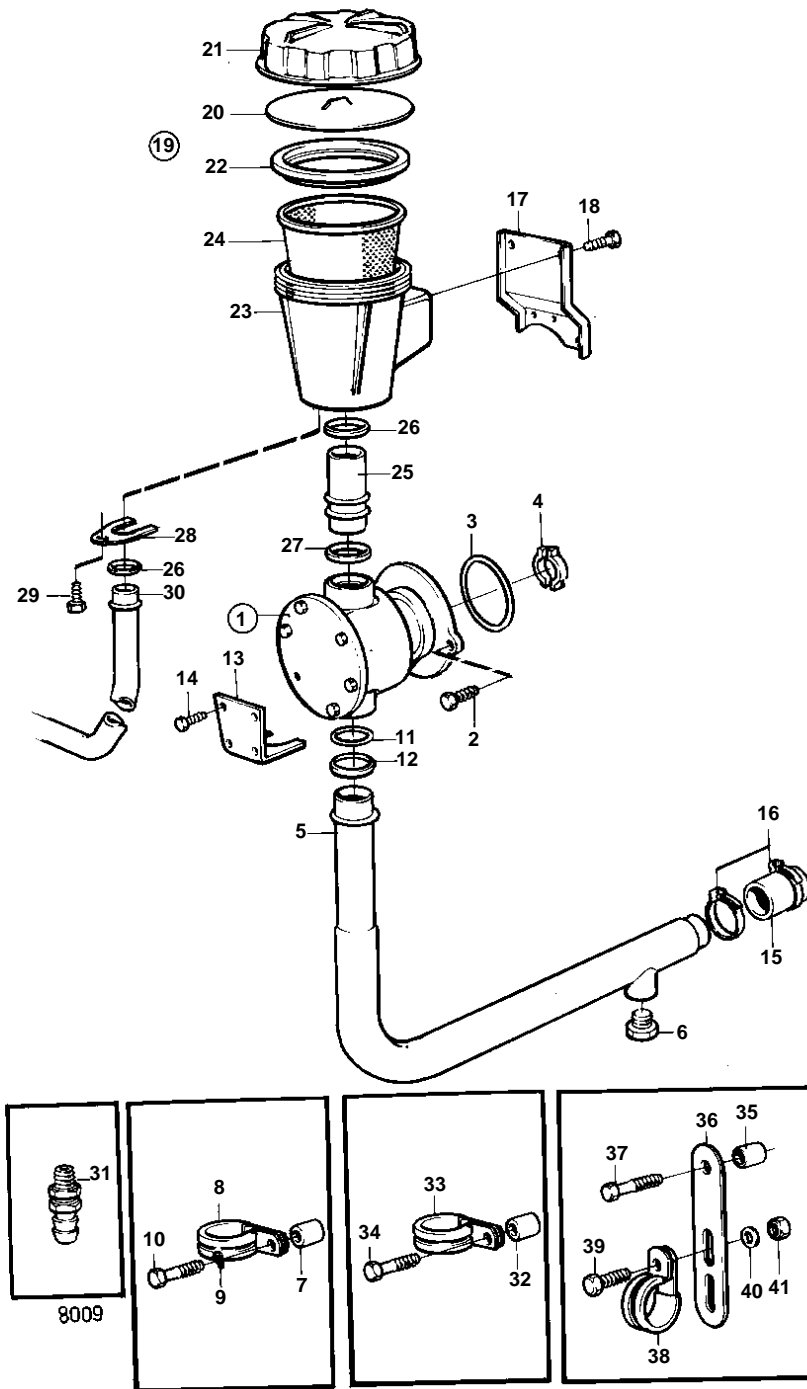


AQAD31A,AD31A,AD31B



AQAD31A,AD31A,AD31B

REF	PART NO.	QTY	DESCRIPTION	SEE SEC.	NOTES
1	858469	1	Sea water pump	02B-1260	
2	946173	2	Flange screw		
3	968971	1	O-ring		
4	858467	1	Companion flange		
5	858525	1	Coolant pipe		SEA WATER PUMP-SHIELD
6	192134	1	Plug		
7	11978	2	Washer		
8	943717	2	Clamp		
9	955894	2	Washer		
10	946173	2	Flange screw		
11	949658	1	O-ring		
12	847108	1	Retainer		
13	847107	1	Lock brace		
14	963545	2	Screw		
15	858517	1	Hose		SEE GROUP 4A
16	961670	2	Hose clamp		
17	842742	1	Bracket		
18	944926	4	Flange screw		
19	842924	1	Strainer		
20	842982	1	· Pressure plate		
21	842722	1	· Cover		
22	842724	1	· Seal		
23		1	· HOUSING		
24	842723	1	· Strainer		
25	842743	1	Tube		
26	858986	2	Sealing ring		(842744)
27	949658	1	O-ring		
28	829691	1	Retainer		
29	965175	1	Screw		
30	838973	1	Coolant pipe		STRAINER-OIL COOLER
31	949918	1	Drain cock		
32	846339	1	Spacer sleeve		
33	947827	1	Clamp		
34	965180	1	Flange screw		
35	843075	1	Sleeve		
36	965534	1	Bracket		
37	965182	1	Flange screw		
38	952635	1	Clamp		
39	946544	1	Flange screw		
40	955892	1	Washer		EARLY TYPE
41	945407	1	Flange nut		