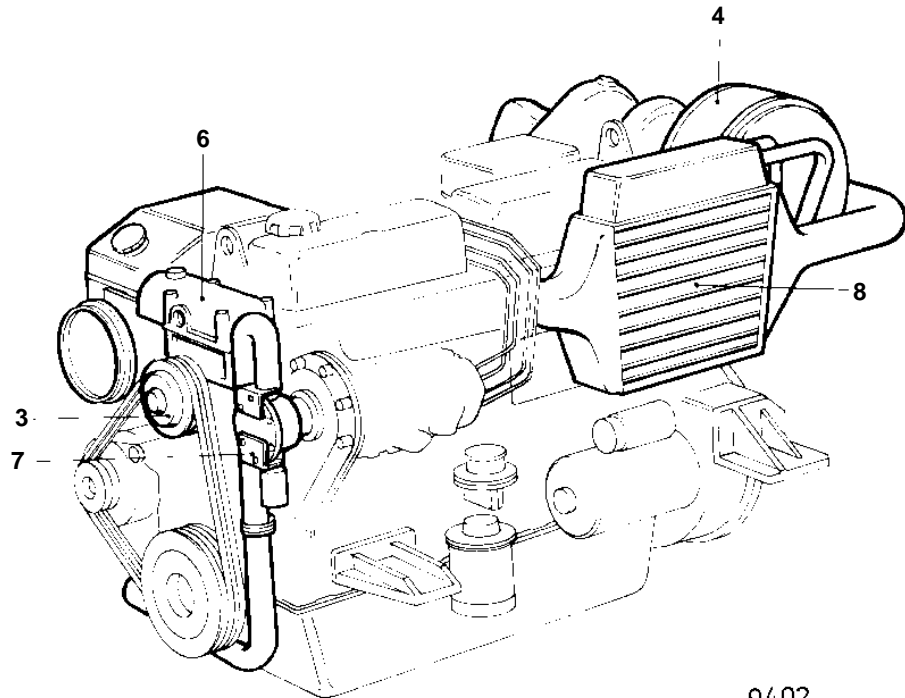
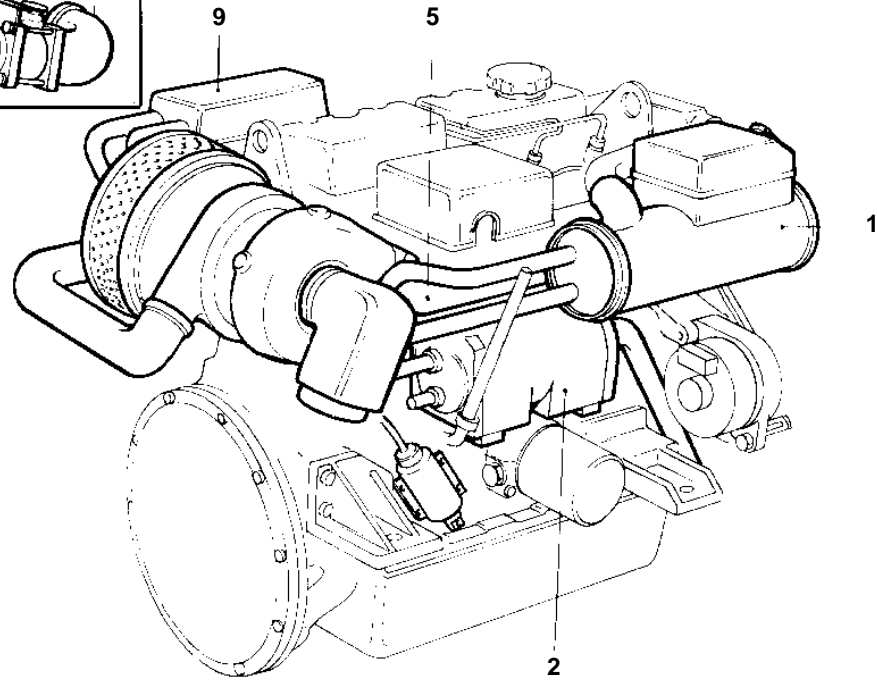
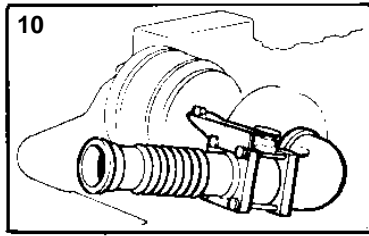


TAMD31A



9402

TAMD31A

REF	QTY	DESCRIPTION	SEE SEC.	NOTES
1	1	HEAT EXCHANGER WITH INSTALLATION COMPONENTS	02B-0850	
2	1	OIL COOLER WITH INSTALLATION COMPONENTS	02B-1283	
3	1	CIRCULATION PUMP WITH INSTALLATION COMPONENTS	02B-0955	
4	1	TURBO AND AIR FILTER WITH INSTALLATION COMPONENTS	02B-2036	
5	1	INDUCTION- AND EXHAUST MANIFOLD WITH INSTALLATION COMPONENTS	02B-2275	
6	1	THERMOSTAT HOUSING AND EXPANSION TANK WITH INSTALLATION COMPONENTS	02B-2480	
7	1	WATER PUMP WITH INSTALLATION COMPONENTS	02B-1105	
8	1	AFTER COOLER WITH INSTALLATION COMPONENTS	02B-2375	
9	1	EXHAUST LINE, WET		ALT SEE GROUP 9
10	1	EXHAUST LINE, DRY		ALT SEE GROUP 9