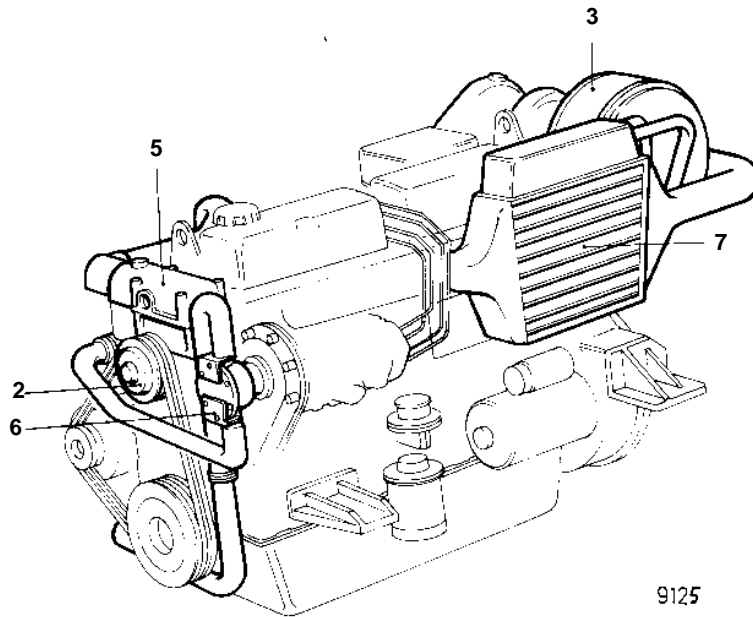
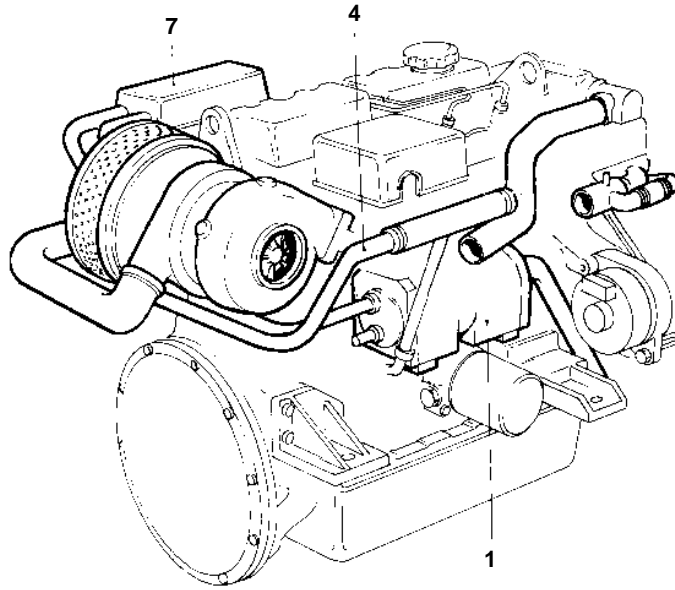


TAMD31A



9125

TAMD31A

REF	QTY	DESCRIPTION	SEE SEC.
1	1	OIL COOLER WITH INSTALLATION COMPONENTS	02B-1283
2	1	CIRCULATION PUMP WITH INSTALLATION COMPONENTS	02B-0955
3	1	TURBO AND AIR FILTER WITH INSTALLATION COMPONENTS	02B-2036
4	1	INDUCTION- AND EXHAUST MANIFOLD WITH INSTALLATION COMPONENTS	02B-2275
5	1	THERMOSTAT HOUSING AND EXPANSION TANK WITH INSTALLATION COMPONENTS	02B-2480
6	1	WATER PUMP WITH INSTALLATION COMPONENTS	02B-1105
7	1	AFTER COOLER WITH INSTALLATION COMPONENTS	02B-2375