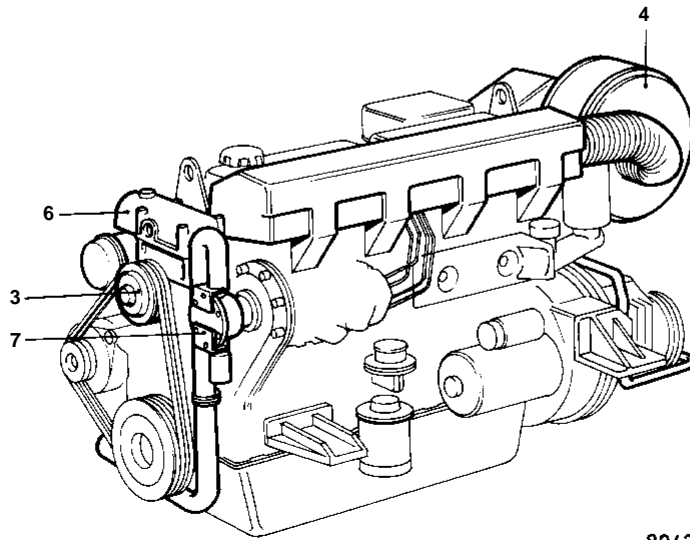
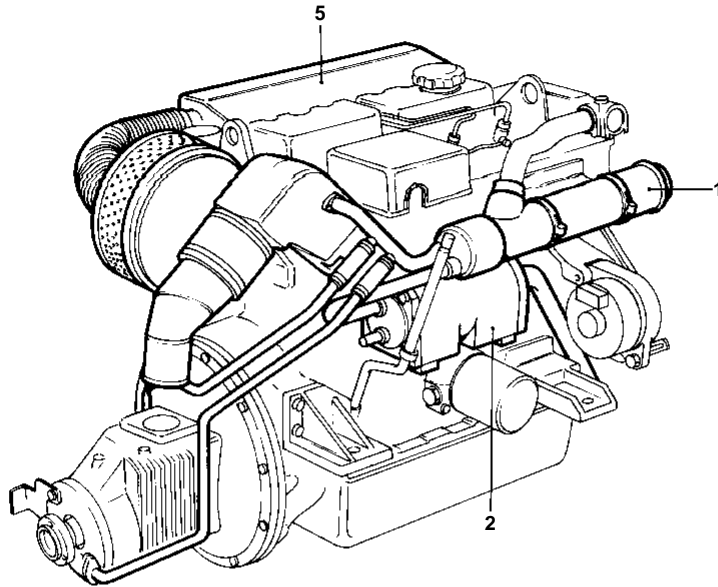


MD31A



8042

MD31A

REF	QTY	DESCRIPTION	SEE SEC.
1	1	HEAT EXCHANGER WITH INSTALLATION COMPONENTS	02B-0840
2	1	OIL COOLER WITH INSTALLATION COMPONENTS	02B-1280
3	1	CIRCULATION PUMP WITH INSTALLATION COMPONENTS	02B-0951
4	1	AIR FILTER WITH INSTALLATION COMPONENTS	02B-2030
5	1	INDUCTION- AND EXHAUST MANIFOLD WITH INSTALLATION COMPONENTS	02B-2250
6	1	THERMOSTAT HOUSING WITH INSTALLATION COMPONENTS	02B-2450
7	1	SEA WATER PUMP WITH INSTALLATION COMPONENTS	02B-1100