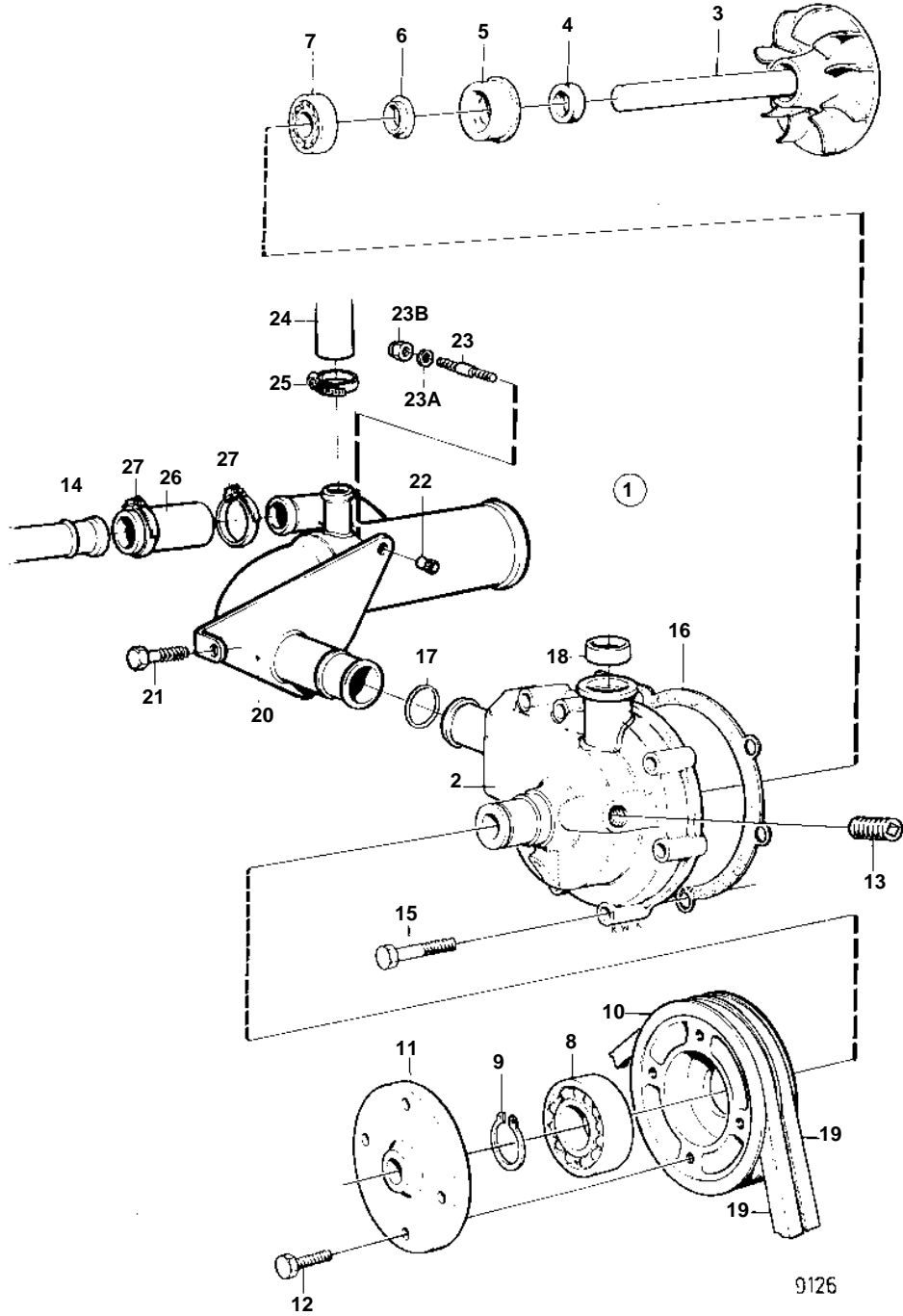


TAMD31A



TAMD31A

REF	PART NO.	QTY	DESCRIPTION	SEE SEC.	NOTES
1	838698	1	Water pump		SN-2203105173 REPL BY 859128
2		1	· HOUSING		
3		1	· SHAFT	IK	
4	421306	1	· Wear ring	IK	
5	1545283	1	· Sealing ring	IK	
6	70913	1	· Deflector	IK	
7	1660609	1	· Ball bearing	IK	
8	181538	1	· Ball bearing	IK	
9	914462	1	· Lock ring	IK	
10	1542235	1	· Pulley		
11	1542236	1	· Hub		
12	946173	4	· Flange screw		
13	875735	X	Repair kit		SEE GROUP 10A
14	858522	1	Tube		INLET-WATER PUMP
15	947760	6	Flange screw		
16	859027	1	Gasket	IK	
17	925067	2	O-ring		
18	1542198	1	Sealing ring	02B-2480	
19		X	DRIVE BELT		SEE GROUP 3
20	858520	1	Tube		
21	946670	1	Flange screw		
22	820917	1	Spacer sleeve		
23	953001	1	Stud		
23A	941907	1	Spring washer		
23B	971095	1	Nut		(945409)
24	952969	X	Rubber hose		L = 1940 MM. EXPANSION TANK-INLET
25	943472	1	Hose clamp		
26	944386	X	Hose		L = 90 MM
27	943475	2	Hose clamp		