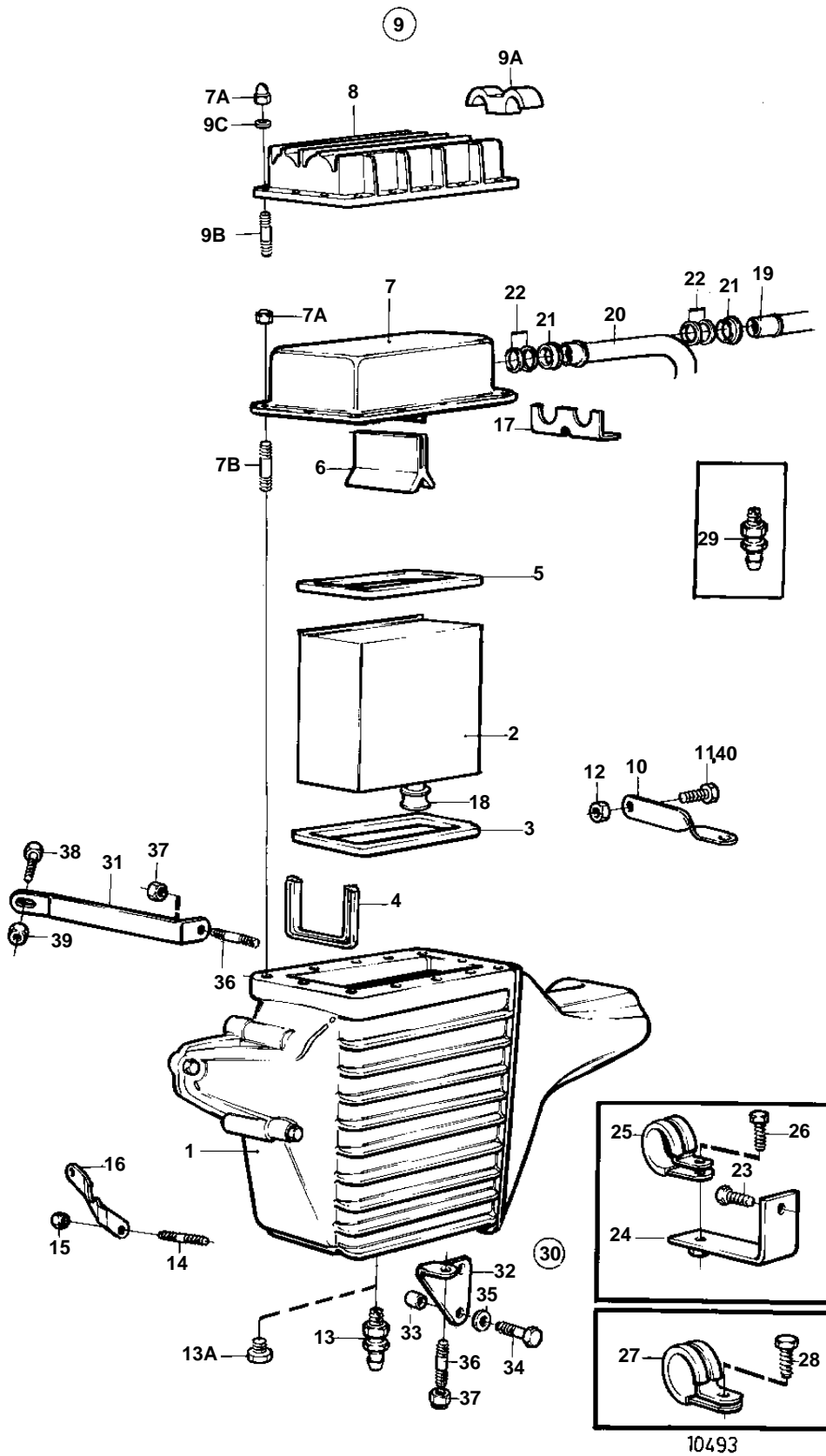


TAMD31A SOLAS



**TAMD31A SOLAS**

REF	PART NO.	QTY	DESCRIPTION	SEE SEC.	NOTES
1	859199	1	Housing		REPLACED BY HOUSING 859354 TOGETHER WITH INSTALLATION KIT 859593
	859354	1	Housing		SN2203109021-
2	858947	1	Insert		REPL BY 859362
	859362	1	Insert		
3	838720	1	Seal		
4	838831	1	Sealing strip		
5	838720	1	Seal		
6	847573	1	Sealing strip		
7	859554	1	Cover		METAL. REPLACED BY COVER 860135 AND INSTALLATION KIT 876293.
7A	968458	12	Nut		
7B	953032	12	Stud		
8	860135	1	Cover		PLASTIC
9	876293	1	Mounting kit		FOR 860135
9A	860133	1	· Retainer		FOR 860135
9B	953036	11	· Stud		L = 38 MM
	975132	1	· Stud		L = 68 MM
9C	955893	12	Washer		
10	858944	1	Anchorage		
11	946934	1	Flange screw		
12	945407	1	Flange nut		
13	949918	1	Drain cock		EARLY TYPE
13A	192134	1	Plug		LATE TYPE
14	953041	1	Stud		
15	945408	1	Flange nut		
16	838833	1	Support		
17	838754	1	Bracket		FOR 859554
18	858979	1	Sealing ring		
19	838819	1	Coolant pipe		OIL COOLER-AFTER COOLER
20	838779	1	Coolant pipe		AFTER COOLER-HEAT EXCHANGER
21	847108	2	Retainer		
22	858986	4	Sealing ring		(842744)
23	946472	1	Screw	02B-2037	
24	838828	1	Anchorage		
25	952635	2	Clamp		
26	946544	1	Flange screw		
27	952635	1	Clamp		
28		1	SCREW		SEE GROUP 2A
29	949918	1	Drain cock		FOR PIPE 838779
30	859593	1	Mounting kit		
31	858967	1	· Bracket		FOR 859354
32	858965	1	· Bracket		FOR 859354
33	912142	2	· Washer		L = 5 MM
34	965226	2	· Flange screw		
35	955897	2	· Washer		EARLY TYPE
36	953041	2	· Stud		
37	945408	2	· Flange nut		
38	946934	1	· Flange screw		
39	945407	1	· Flange nut		
40	946329	1	· Flange screw		