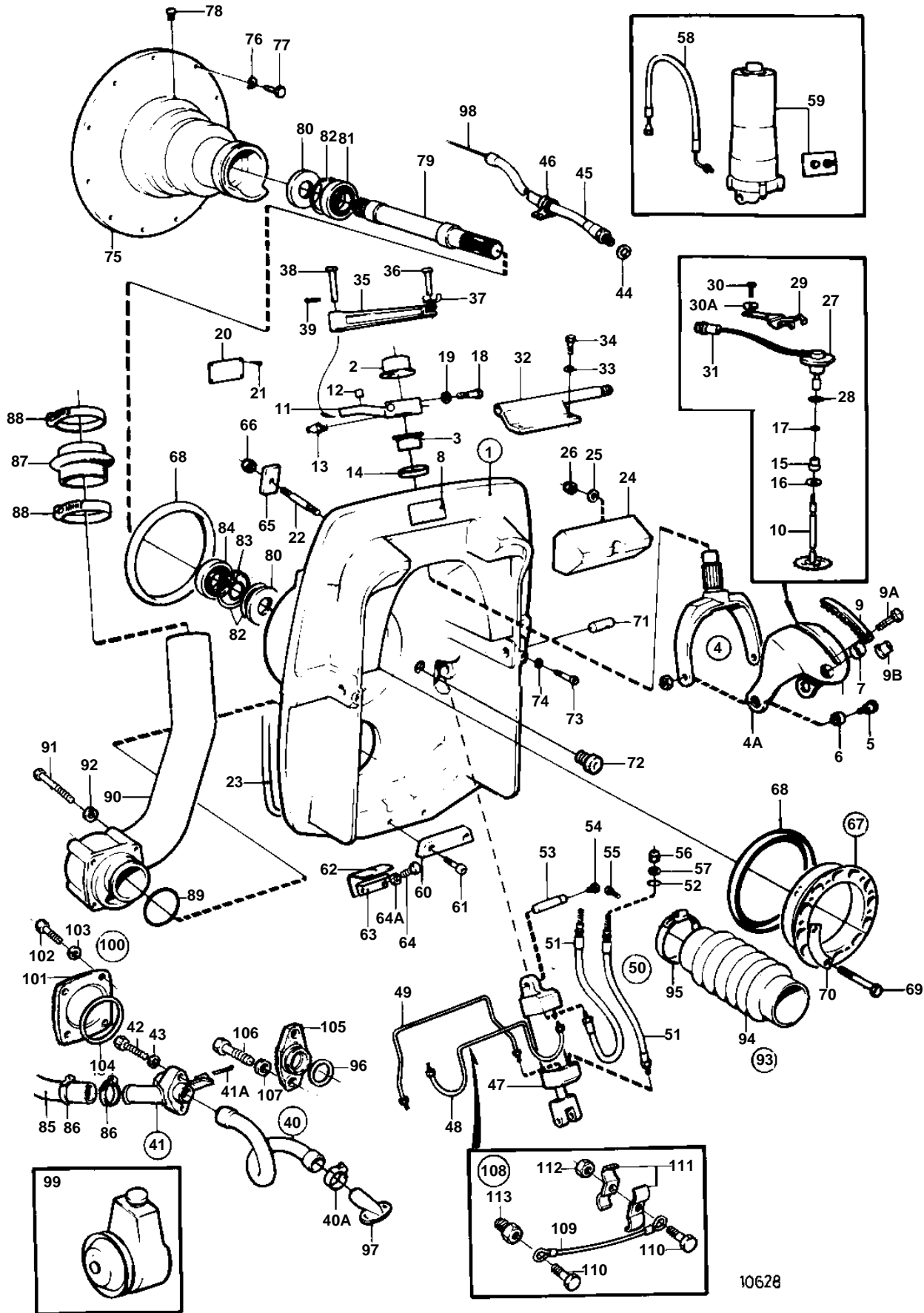


AD31B



AD31B

| REF | PART NO. | QTY | DESCRIPTION | SEE SEC. | NOTES |
|-----|----------|-----|----------------------|----------|------------------------|
| 1 | 876150 | 1 | Transom shield | | |
| 2 | 853864 | 1 | • Bushing | | |
| 3 | 853863 | 1 | • Bushing | | |
| 4 | 854066 | 1 | • Steering fork kit | | |
| 4A | | 1 | • • PROTECTION CAP | | |
| 5 | | 2 | • • SHOULDER SCREW | | |
| 6 | | 2 | • • BUSHING | | |
| 7 | 853048 | 1 | • Bushing | | |
| 8 | 852827 | 1 | • Sign | | |
| 9 | 854063 | 1 | • Gear segment | | |
| 9A | 853759 | 1 | • Screw | | |
| 9B | 853760 | 1 | • Rivet nut | | |
| 10 | 852984 | 1 | • Drive gear | | |
| 11 | 853017 | 1 | • Spindle arm | | |
| 12 | 949368 | 1 | • Bushing | | |
| 13 | 914169 | 1 | • Lubricating nipple | | |
| 14 | 839195 | 1 | • Ring | | |
| | | | • Bulletin 48-23 | 48-23-EN | Seal Ring |
| 15 | 851430 | 1 | • Bushing | | |
| 16 | 966207 | 1 | • Sealing ring | | |
| 17 | 925050 | 1 | • O-ring | | |
| 18 | 959241 | 1 | • Screw | | |
| 19 | 942336 | 1 | • Spring washer | | |
| 20 | 853706 | 1 | • Type plate | | |
| 21 | 804269 | 2 | • Drive screw | | |
| 22 | 853982 | 6 | • Stud | | SN-1101591651 |
| | 853595 | 6 | • Stud | | SN 1101591652- NOTE |
| 23 | 852868 | 1 | Sealing strip | | |
| 24 | 854133 | 1 | Rubber cushion | | |
| 25 | 960148 | 2 | Washer | | |
| 26 | 971089 | 2 | Lock nut | | |
| 27 | 828726 | 1 | Potentiometer | | |
| 28 | 955991 | 1 | O-ring | | |
| 29 | 853039 | 1 | Bracket | | |
| 30 | 940199 | 1 | Screw | | |
| 30A | 941907 | 1 | Spring washer | | |
| 31 | | X | CABLES AND TERMINALS | | SEE GROUP 3 |
| 32 | 852775 | 1 | Cable attachment | | |
| 33 | 941908 | 2 | Spring washer | | |
| 34 | 970950 | 2 | Screw | | |
| 35 | 852786 | 1 | Link rod | | |
| 36 | 913158 | 1 | Clevis pin | | |
| 37 | 853160 | 1 | Lock washer | | |
| 38 | 852788 | 1 | Clevis pin | | |
| 39 | 907856 | 1 | Cotter pin | | |
| 40 | 875847 | 1 | Hose kit | | |
| 40A | 853548 | 2 | • Hose clamp | | |
| 41 | 853517 | 1 | Tap | | |
| 41A | 967707 | 1 | • Cotter pin | | |
| 42 | 955515 | 2 | Screw | | |
| 43 | 941906 | 2 | Spring washer | | |
| 44 | 897745 | 1 | Gasket | | |
| 45 | 839091 | 1 | Hose | | |
| 46 | 952635 | 1 | Clamp | | |
| 47 | 853439 | 2 | Hydraulic cylinder | | REPL BY 854610 |
| | 854610 | 2 | Hydraulic cylinder | | |
| 48 | 852830 | 1 | Tube | | |
| 49 | 852832 | 1 | Tube | | |
| 50 | 854752 | 1 | Hydraulic hose | | SN 1101592794- |
| 51 | 854710 | 1 | • Hydraulic hose | | FRONT |
| | 854711 | 1 | • Hydraulic hose | | REAR |
| 52 | 925053 | 4 | • O-ring | | |

AD31B

| REF | PART NO. | QTY | DESCRIPTION | SEE SEC. | NOTES |
|-----|----------|-----|--|----------|--------------|
| 53 | 852748 | 2 | Pin | | |
| 54 | 852879 | 1 | Plug | | |
| 55 | 853060 | 2 | Flange screw | | |
| 56 | 853100 | 2 | Nut | | |
| 57 | 853059 | 2 | Washer | | |
| 58 | 852839 | 2 | Hose | | |
| 59 | | 1 | HYDRAULIC PUMP AND TRIM INSTRUMENT WITH INSTALLATION COMPONENTS | 04A-1300 | |
| 60 | 852835 | 1 | Zinc electrode | | |
| 61 | 946541 | 2 | Screw | | |
| 62 | 852877 | 1 | Check valve | | |
| 63 | 852878 | 1 | Attaching plate | | |
| 64 | 963545 | 2 | Screw | | |
| 64A | 941670 | 2 | Washer | | |
| 65 | 852866 | 6 | Washer | | |
| 66 | 963108 | 6 | Nut | | |
| 67 | 854317 | 1 | Clamping ring kit | | |
| 68 | 813967 | 2 | · Rubber ring | | |
| 69 | 191844 | 6 | · Screw | | |
| 70 | 806624 | 3 | · Striker plate | | |
| 71 | 853175 | 2 | Pivot pin | | |
| 72 | 853215 | 1 | Plug | | |
| 73 | 963699 | 2 | Screw | | |
| 74 | 941670 | 2 | Washer | | |
| 75 | 844519 | 1 | Flywheel housing | | |
| 76 | 941908 | 11 | Spring washer | | EARLY TYPE |
| | 941908 | 10 | Spring washer | | LATE TYPE |
| 77 | 946752 | 11 | Flange screw | | EARLY TYPE |
| | 946752 | 10 | Flange screw | | LATE TYPE |
| 78 | 804262 | 1 | Plug | | |
| 79 | 853809 | 1 | Shaft | | |
| 80 | 958860 | 2 | Sealing ring | | |
| 81 | 11013 | 1 | Ball bearing | | |
| 82 | 914533 | 3 | Snap ring | | |
| 83 | 914462 | 1 | Lock ring | | |
| 84 | 181105 | 1 | Ball bearing | | |
| 85 | 858517 | 1 | Hose | | |
| 86 | 961670 | 2 | Hose clamp | | |
| 87 | 858955 | 1 | Exhaust hose | | SEE GROUP 2B |
| 88 | 943483 | 2 | Hose clamp | | SEE GROUP 2B |
| 89 | 925260 | 1 | O-ring | | |
| 90 | 853718 | 1 | Exhaust grommet | | |
| 91 | 955328 | 4 | Screw | | |
| 92 | 960148 | 4 | Washer | | |
| 93 | 875848 | 1 | Bellows kit | | |
| 94 | | 1 | · BELLOW | | |
| 95 | 961675 | 1 | · Hose clamp | | |
| 96 | 925066 | 1 | O-ring | | |
| 97 | 854031 | 1 | Hose connection | | SEE GROUP 4C |
| 98 | | X | CONTROL CABLE | | SEE GROUP 9 |
| 99 | | X | POWER STEERING | | SEE GROUP 6 |
| 100 | 1140003 | 1 | Cover plate | | ALT |
| 101 | 854584 | 1 | · Flange | | (838934) |
| 102 | 955315 | 4 | · Screw | | |
| 103 | 941908 | 4 | · Spring washer | | |
| 104 | 925260 | 1 | · O-ring | | |
| 105 | 858061 | 1 | Seal flange | | ALT |
| 106 | 955515 | 2 | Screw | | |
| 107 | 941906 | 2 | Spring washer | | |
| 108 | 854625 | 1 | Ground cable | | |
| 109 | 854627 | 1 | · Ground cable | | |

