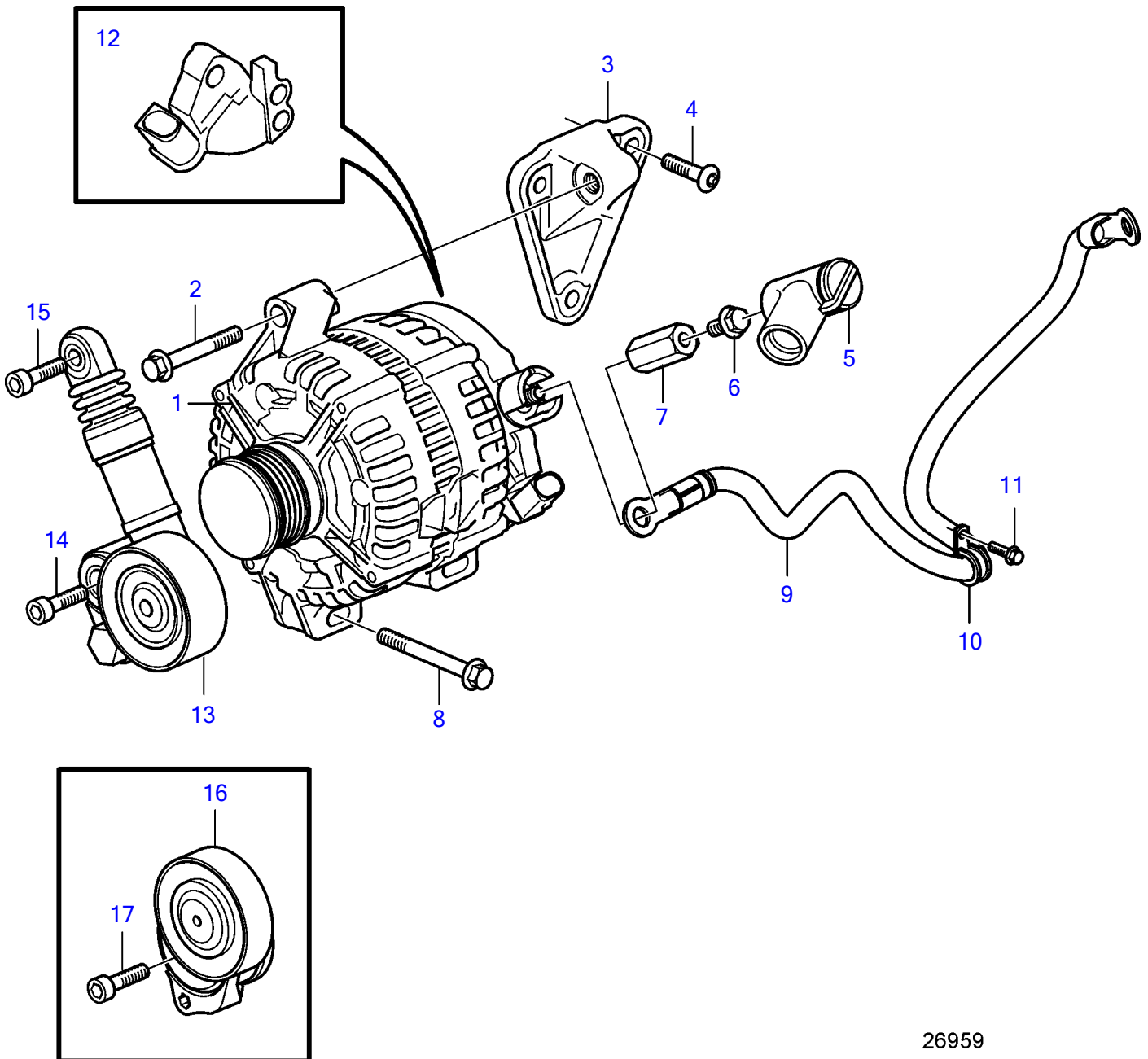


D3-110I-D, D3-110I-E, D3-110I-F, D3-140I-E, D3-140I-F, D3-140A-D, D3-140A-E, D3-140A-F, D3-150I-D, D3-150I-E, D3-150I-F, D3-170I-D, D3-170I-E, D3-170I-F, D3-170A-D, D3-170A-E, D3-170A-F, D3-200I-D, D3-200I-E, D3-200I-F, D3-200A-D, D3-200A-E, D3-200A-F, D3-220I-D, D3-220I-E, D3-220I-F, D3-220A-D, D3-220A-E, D3-220A-F



26959

D3-110I-D, D3-110I-E, D3-110I-F, D3-140I-E, D3-140I-F, D3-140A-D, D3-140A-E, D3-140A-F, D3-150I-D, D3-150I-E, D3-150I-F, D3-170I-D, D3-170I-E, D3-170I-F, D3-170A-D, D3-170A-E, D3-170A-F, D3-200I-D, D3-200I-E, D3-200I-F, D3-200A-D, D3-200A-E, D3-200A-F, D3-220I-D, D3-220I-E, D3-220I-F, D3-220A-D, D3-220A-E, D3-220A-F

REF	PART NO.	QTY	DESCRIPTION	NOTES
1	30667118	1	Alternator	
2	965180	1	Flange screw	M8x60mm
3	21141333	1	Bracket	
4	969601	3	6 point socket screw	M8x30mm
5	855798	1	Protecting sleeve	
6	947107	1	Flange screw	M18x12mm
7	21264221	1	Spacer nut	
8	984651	2	Flange screw	
9	21398171	1	Cable	Alternator - starter motor
10	952626	1	Clamp	
11	945358	1	Flange screw	
12	30667900	1	Governor	
13	31316674	1	Belt tensioner	Hydraulic, SN2003019005-, SN-A186693
14	30624253	1	6 point socket screw	
15	30624245	1	6 point socket screw	
16	21826866	1	Belt tensioner	Mechanical, SN200317438-, SN-2003019004, SNA186694-
17	988144	1	6 point socket screw	Replaced by 30624274
	30624274	1	6 point socket screw	