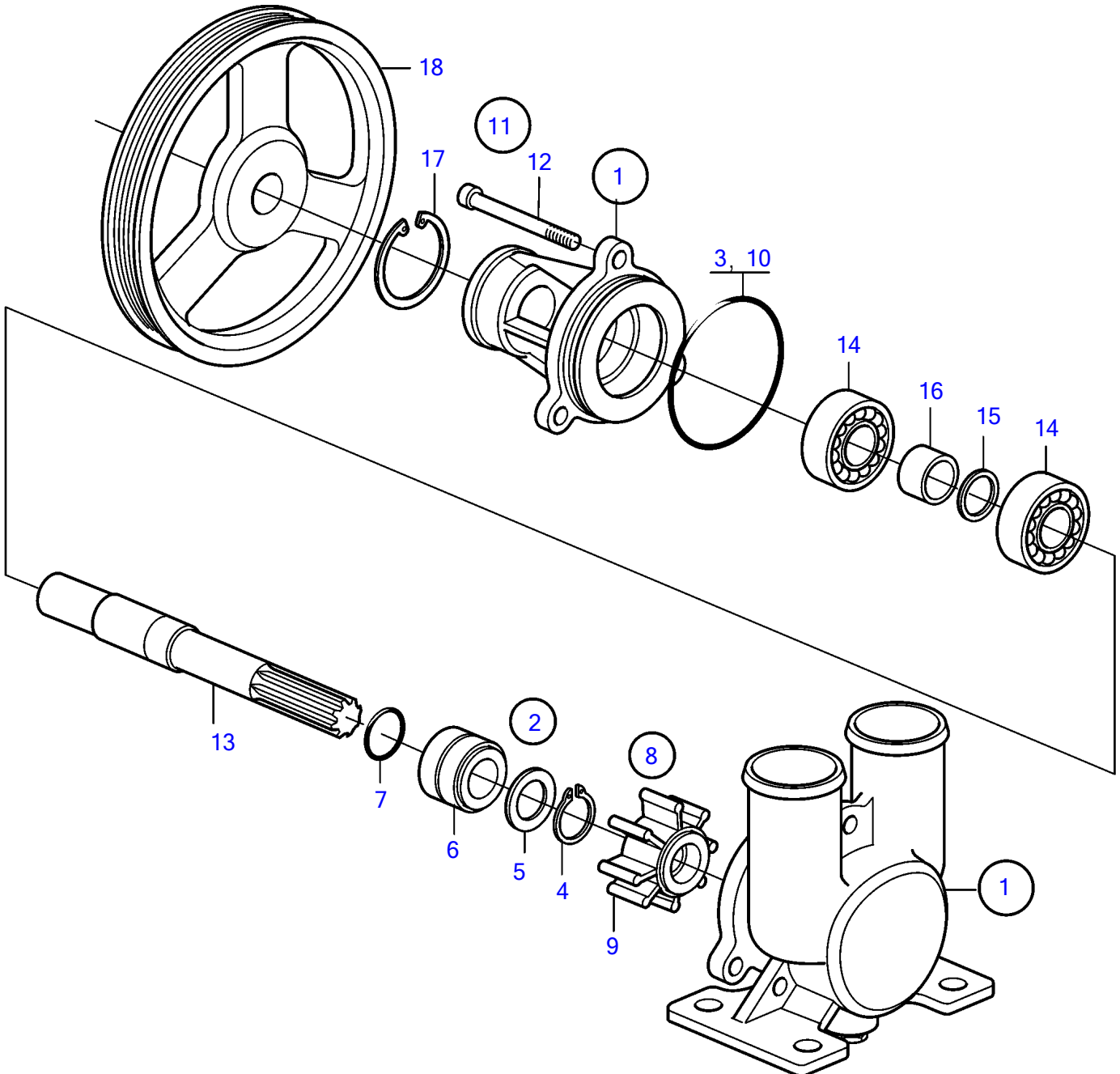


D3-110I-D, D3-110I-E, D3-110I-F, D3-140I-E, D3-140I-F, D3-140A-D, D3-140A-E, D3-140A-F, D3-150I-D, D3-150I-E, D3-150I-F, D3-170I-D, D3-170I-E, D3-170I-F, D3-170A-D, D3-170A-E, D3-170A-F, D3-200I-D, D3-200I-E, D3-200I-F, D3-200A-D, D3-200A-E, D3-200A-F, D3-220I-D, D3-220I-E, D3-220I-F, D3-220A-D, D3-220A-E, D3-220A-F



26683

D3-110I-D, D3-110I-E, D3-110I-F, D3-140I-E, D3-140I-F, D3-140A-D, D3-140A-E, D3-140A-F, D3-150I-D, D3-150I-E, D3-150I-F, D3-170I-D, D3-170I-E, D3-170I-F, D3-170A-D, D3-170A-E, D3-170A-F, D3-200I-D, D3-200I-E, D3-200I-F, D3-200A-D, D3-200A-E, D3-200A-F, D3-220I-D, D3-220I-E, D3-220I-F, D3-220A-D, D3-220A-E, D3-220A-F

REF	PART NO.	QTY	DESCRIPTION	SEE SEC.	NOTES
1	21379102	1	Sea water pump		
			• Bulletin P-26-6-5	P-26-6-5-EN	New seawater pump kits
2	21951386	1	• Wear kit		
3		1	• • O-ring		
4	(809444)	1	• • Lock ring		Obsolete part
5	3583988	1	• • Washer		
6	(21379134)	1	• • Sealing ring		Obsolete part
7	960166	1	• • O-ring		
8	3593660	1	• Impeller kit		replaced by next part number
	21381693	1	• Impeller kit		replaced by next part number
	21951352	1	• Impeller kit		
9		1	• • Impeller		
10		1	• • O-ring		
11	21951330	1	• Screw kit		
12		3	• • Hex. socket screw		
13		1	• Shaft		
14	181800	2	• Ball bearing		
15	914451	1	• Snap ring		
16	(21379143)	1	• Spacer		Obsolete part
17	914523	1	• Snap ring		
18		1	• Pulley		