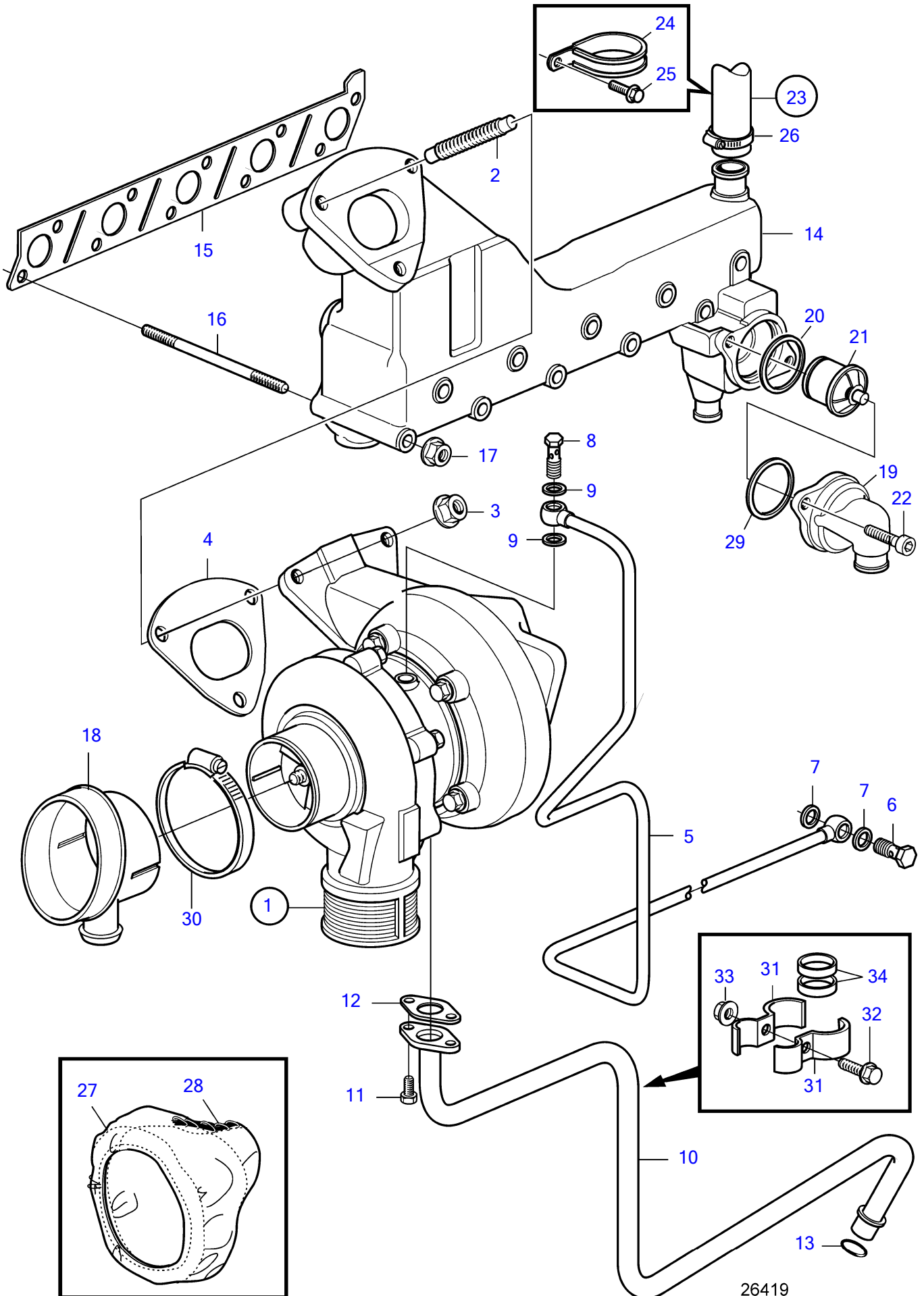


D3-110I-A, D3-130A-A, D3-130I-A, D3-160A-A, D3-160I-A



D3-110I-A, D3-130A-A, D3-130I-A, D3-160A-A, D3-160I-A

REF	PART NO.	QTY	DESCRIPTION	NOTES
1	3801270	1	Turbocharger	(3802145)
2	953045	2	Stud	
3	945408	3	Flange nut	
4	8631549	1	Gasket	
5	3584290	1	Oil pressure pipe	
6	25167	1	Hollow screw	
7	969011	2	Gasket	
8	980973	1	Hollow screw	
9	18665	2	Gasket	
10	3584289	1	Oil return pipe	
11	946544	2	Flange screw	
12	420641	1	Gasket	
13	30637866	1	Sealing ring	Replaced by 31251439
	31251439	1	Sealing ring	
14	3812601	1	Exhaust manifold	(3584294)
15	30729340	1	Gasket	(8631562)
16	968278	10	Stud	
17	945408	10	Flange nut	
18	3586801	1	Adapter	
19	3584473	1	Cardboard tube	
20	3584299	1	Gasket	
21	3840816	1	Thermostat	(3584474)
22	959223	2	Hex. socket screw	
23	888609	1	Hose	
24	947457	1	• Clamp	
25	968476	1	• Flange screw	
26	943479	1	Hose clamp	
27	3883211	1	Heat shield	
28	941710	1	Locking wire	L=0.5m
29	3588888	1	O-ring	
30	943479	1	Hose clamp	
31	820851	2	Clamp	
32	946544	2	Flange screw	
33	945407	2	Flange nut	
34	30637866	2	Sealing ring	