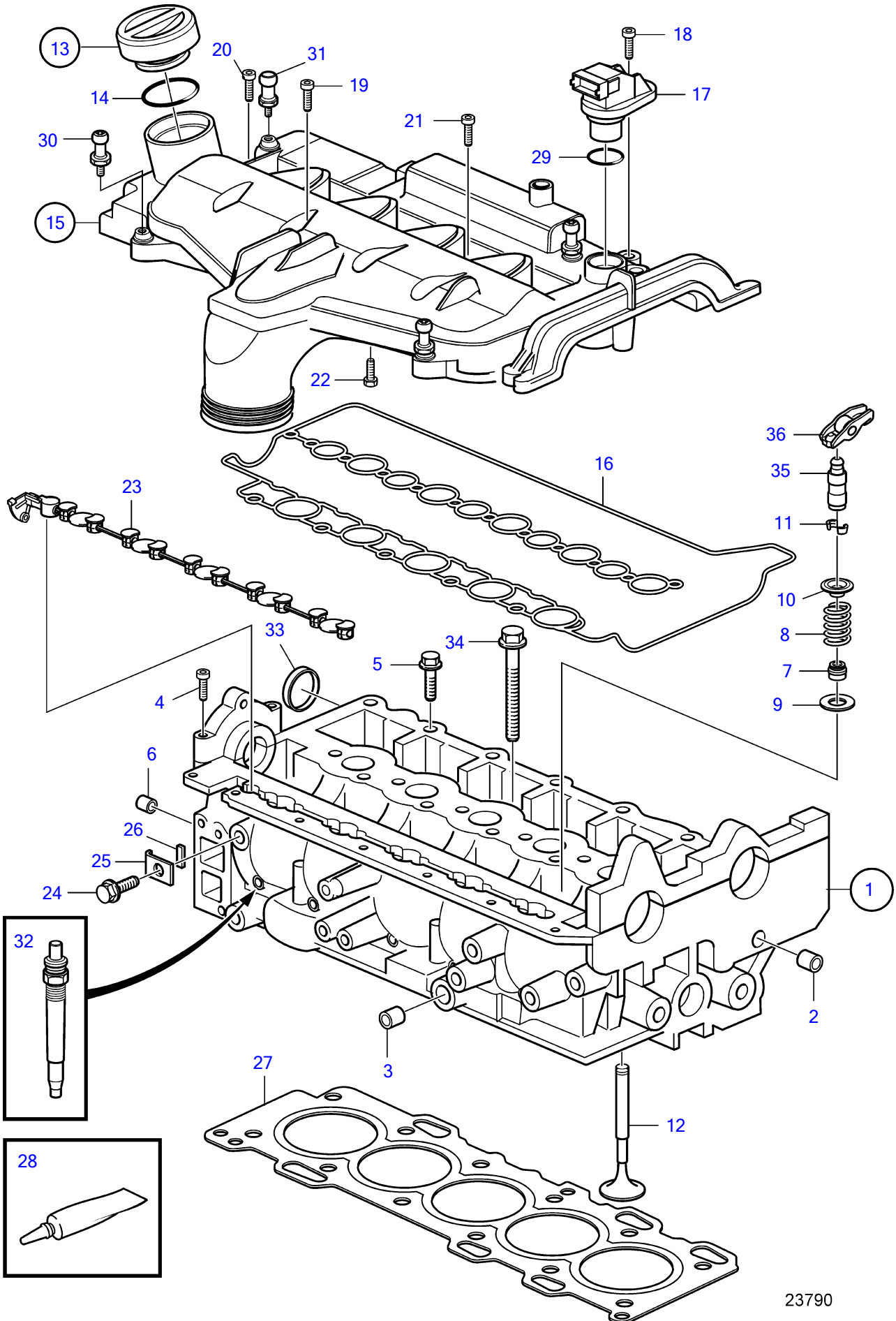


D3-110I-B, D3-110I-C, D3-130A-B, D3-130I-B, D3-130A-C, D3-130I-C, D3-160A-B, D3-160I-B, D3-160A-C, D3-160I-C, D3-190A-B, D3-190I-B, D3-190A-C, D3-190I-C



23790

D3-110I-B, D3-110I-C, D3-130A-B, D3-130I-B, D3-130A-C, D3-130I-C, D3-160A-B, D3-160I-B, D3-160A-C, D3-160I-C, D3-190A-B, D3-190I-B, D3-190A-C, D3-190I-C

REF	PART NO.	QTY	DESCRIPTION	NOTES
1	3803986	1	Cylinder head, exch	
2	946780	1	• Cap plug	
3	946779	2	• Cap plug	
4	986322	5	• 6 point socket screw	M7x50mm
5	982761	24	• Flange screw	
6	981713	3	• Plug	
7	8631652	20	• Valve stem seal	
8	8631656	20	• Valve spring	
9	8631655	20	• Valve spring washer	
10	8631654	20	• Valve spring washer	
11	9454613	40	• Valve collet	
12	8631650	10	• Inlet valve, intake	
	8631651	10	• Exhaust valve, exhaust	
13	3819129	1	Oil filler cap	
14	30677740	1	• O-ring	
15	30743258	1	Inlet pipe	Replaced by 21283437
	21283437	1	Spare parts kit	
		1	• Inlet pipe	
16	30713459	1	• Gasket	
17	8658726	1	Sensor	
18	946544	1	Flange screw	
19	982486	4	6 point socket screw, intake	
20	987349	12	6 point socket screw	
21	982484	19	6 point socket screw	
22	982483	3	6 point socket screw	
23	30777650	1	Shutter	(30677602)
24	977814	1	Flange screw	
25	3840206	1	Stop bracket	
26	3884720	1	Protecting sleeve	
27	30731261	1	Cylinder head gasket	Gasket with 1 hole., Class A
	30731262	1	Cylinder head gasket	Gasket with 2 hole., Class B
	30731263	1	Cylinder head gasket	Gasket with 3 hole., Class C
	30731264	1	Cylinder head gasket	Gasket with 4 hole., Class D
	30731265	1	Cylinder head gasket	Gasket with 5 hole., Class E
28	1161059	1	Sealing compound	SN-2003004733, SN2003004843, SN2003004845, SN2003004852, SN2003004853, SN2003004857
	1161771	1	Sealing compound	SN2003004734-
29	30756062	1	O-ring	
30	30731216	3	Stud bolt	
31	3812606	1	Ball stud	
32	8631607	5	Glow plug	12V, SOLAS
33	8631561	1	Sealing ring	
34	9497825	12	Screw, cylinder head	
35	31251885		Pivot	
36	8670045	20	Tappet	