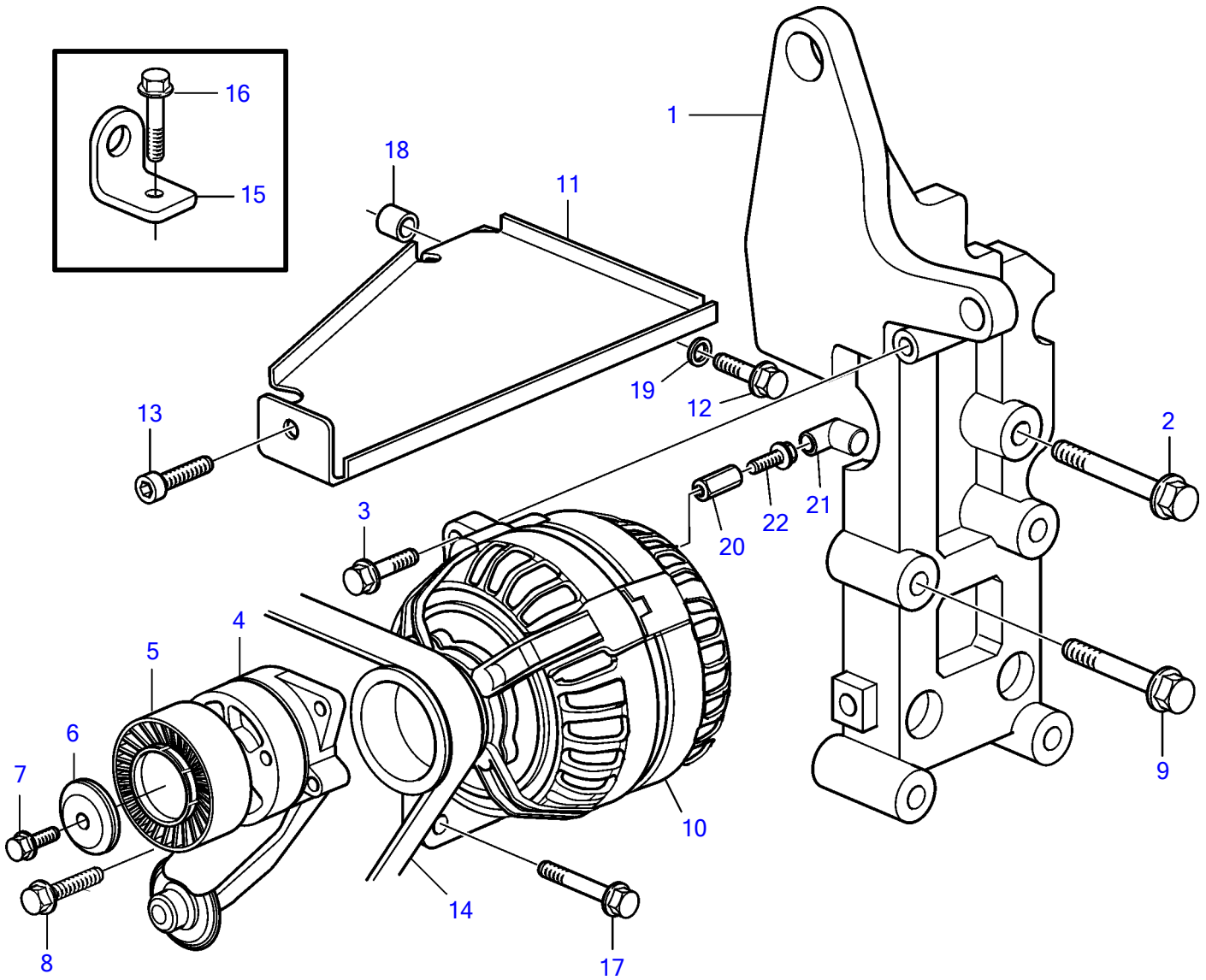


D3-110I-A, D3-130A-A, D3-130I-A, D3-160A-A, D3-160I-A



22884

D3-110I-A, D3-130A-A, D3-130I-A, D3-160A-A, D3-160I-A

REF	PART NO.	QTY	DESCRIPTION	NOTES
1	30757168	1	Bracket	(8642196)
2	965182	2	Flange screw	M8x80mm
3	965180	1	Flange screw	M8x60mm
4	30757056	1	Belt tensioner	(30637961), Replaced by 31251252
	31251252	1	Belt tensioner	
5	30637962	1	Idler pulley	(30729939)
6	8653140	1	Cover	
7	987484	1	Flange screw	
8	985463	3	Flange screw	M8x35mm
9	985463	1	Flange screw	M8x35mm
10	3803645	1	Alternator, exch	12V, 140A
11	3584444	1	Protecting plate	
12	968842	1	Flange screw	M8x110mm
13	959223	1	Hex. socket screw	
14	30731809	1	Drive belt	(8627228)
15	3840565	1	Lifting eye, rear	
16	965188	1	Flange screw	
17	947760	2	Flange screw	M8x40mm
18	826652	1	Spacer sleeve	
19	980935	1	Spacer sleeve	
20	855314	1	Spacer nut	
21	855798	1	Protecting sleeve	
22	947107	1	Flange screw	M8x12mm