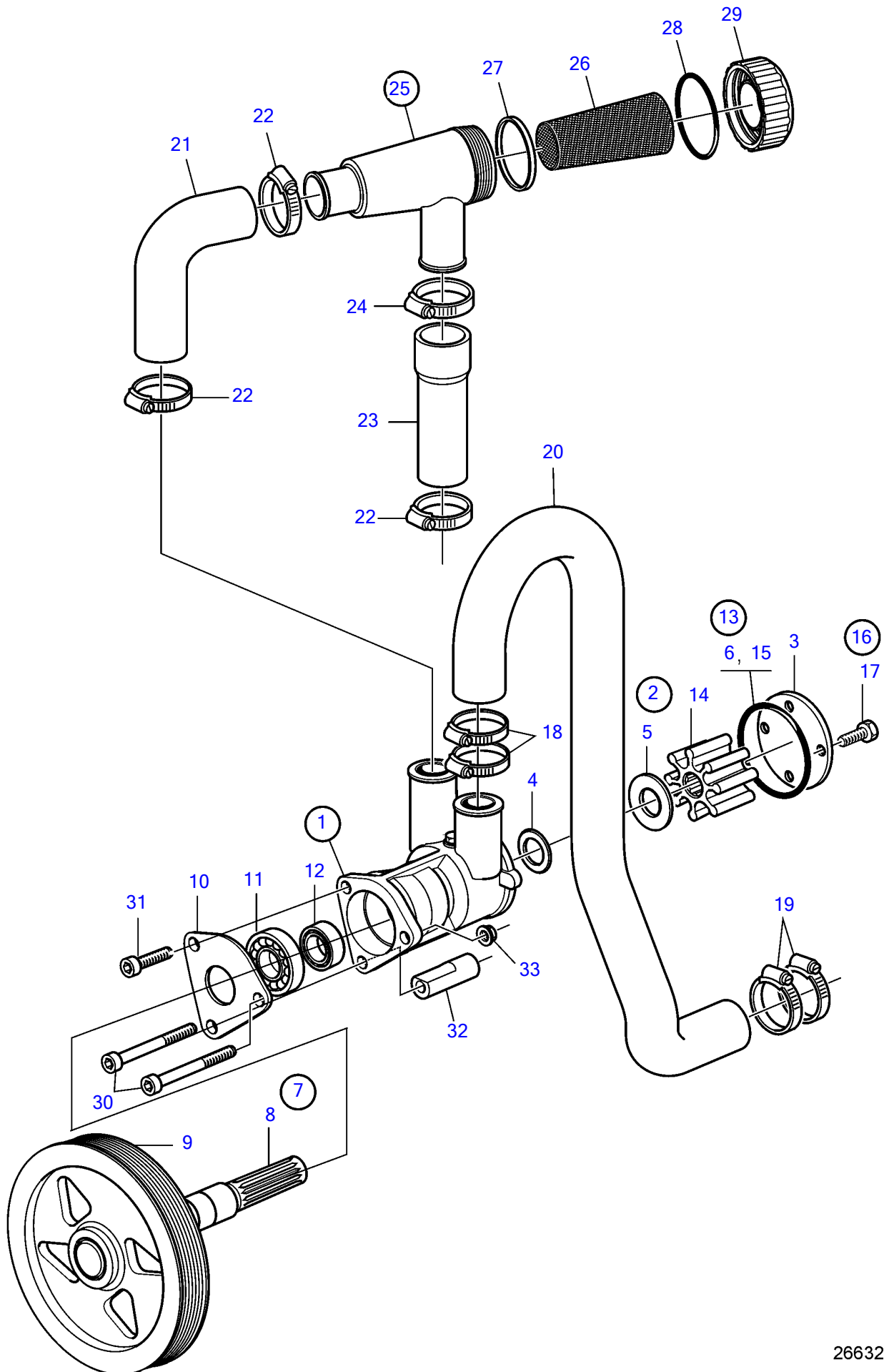


D3-130A-B



26632

D3-130A-B

REF	PART NO.	QTY	DESCRIPTION	NOTES
1	21141637	1	Sea water pump	(3884694)
2	21951384	1	• Wear kit	
3	3584353	1	• • Cardboard tube	
4	3584349	1	• • Sealing ring	
5	827247	1	• • Sealing ring	
6	3583809	1	• • O-ring	
7	21951439	1	• Shaft kit	
8		1	• • Shaft	
9		1	• • Pulley	
10		1	• • Plate	
11		1	• • Ball bearing	
12	181800	1	• • Ball bearing	
13	3593660	1	• Impeller kit	replaced by next part number
	21381693	1	• Impeller kit	replaced by next part number
	21951352	1	• Impeller kit	
14		1	• • Impeller	
15	3583809	1	• • O-ring	
16	21951334	1	• Screw kit	
17	21346724	4	• • Hexagon screw	
18	993963	2	Hose clamp	
19	961670	2	Hose clamp	
20	3584356	1	Hose, heat exchanger	
21	3817382	1	Hose	
22	993964	3	Hose clamp	
23	3817383	1	Hose	
24	943479	1	Hose clamp	
25	3812612	1	Sea water filter	
26	3593606	1	• Filter insert	
27	1547254	1	• Sealing ring	Earlier production
28	925093	1	• O-ring	
29	(3812608)	1	• Cover	Obsolete part, Superseded by 3812612
30	959227	2	Hex. socket screw	M8x50mm
31	959222	1	Hex. socket screw	
32	3884647	1	Spacer sleeve	
33	945408	1	Flange nut	