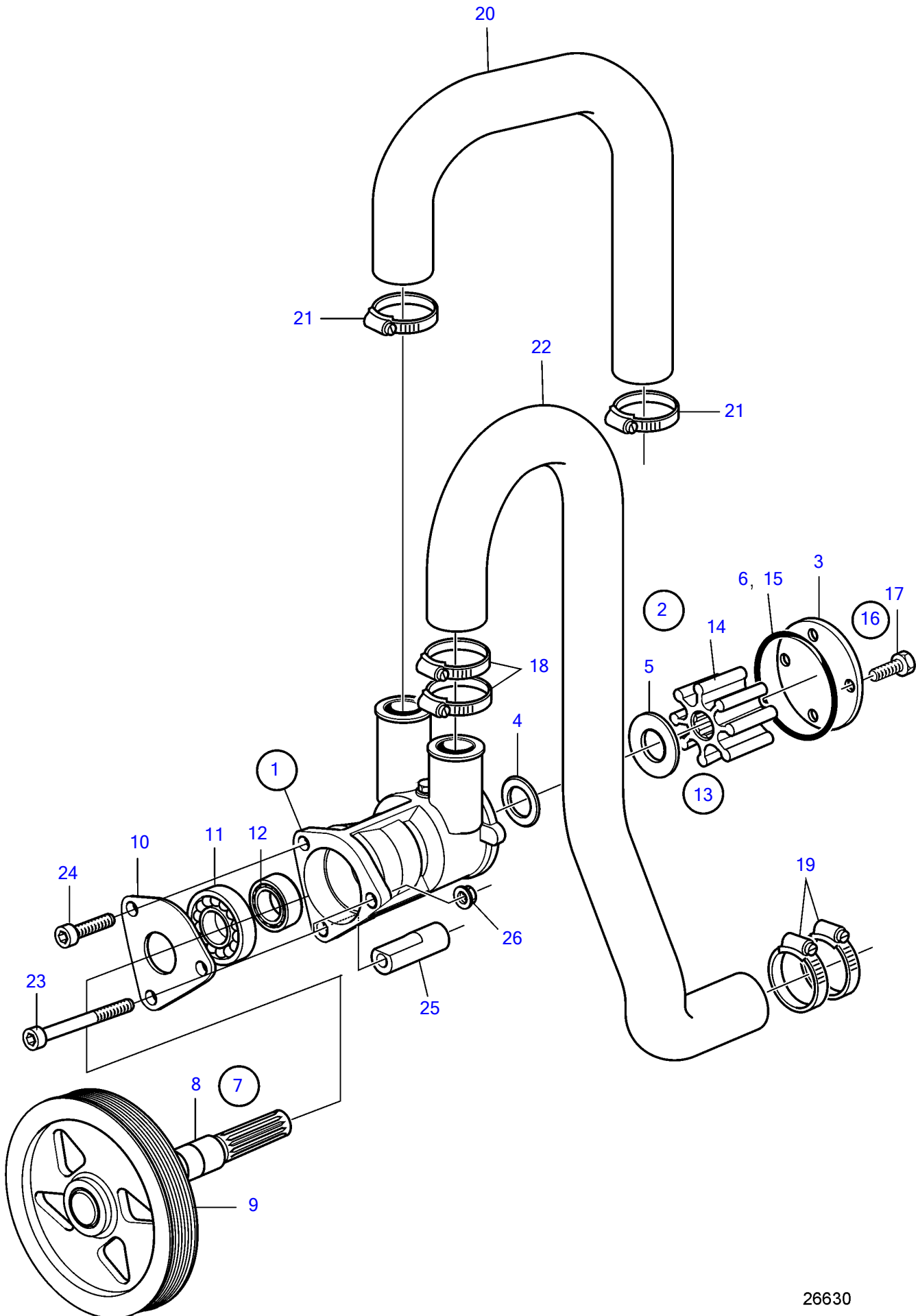


D3-110I-B, D3-130I-B



26630

D3-110I-B, D3-130I-B

REF	PART NO.	QTY	DESCRIPTION	NOTES
1	21141637	1	Sea water pump	(3884694)
2	21951384	1	• Wear kit	
3	3584353	1	• • Cardboard tube	
4	3584349	1	• • Sealing ring	
5	827247	1	• • Sealing ring	
6	3583809	1	• • O-ring	
7	21951439	1	• Shaft kit	
8		1	• • Shaft	
9		1	• • Pulley	
10		1	• • Plate	
11		1	• • Ball bearing	
12	181800	1	• • Ball bearing	
13	3593660	1	• Impeller kit	replaced by next part number
	21381693	1	• Impeller kit	replaced by next part number
	21951352	1	• Impeller kit	
14		1	• • Impeller	
15	3583809	1	• • O-ring	
16	21951334	1	• Screw kit	
17	21346724	4	• • Hexagon screw	
18	993963	2	Hose clamp	
19	961670	2	Hose clamp	
20	3584355	1	Hose, heat exchanger	
21	993964	2	Hose clamp	
22	3584356	1	Hose	
23	959227	2	Hex. socket screw	M8x50mm
24	959222	1	Hex. socket screw	M8x25mm
25	3884647	1	Spacer sleeve	
26	945408	1	Flange nut	