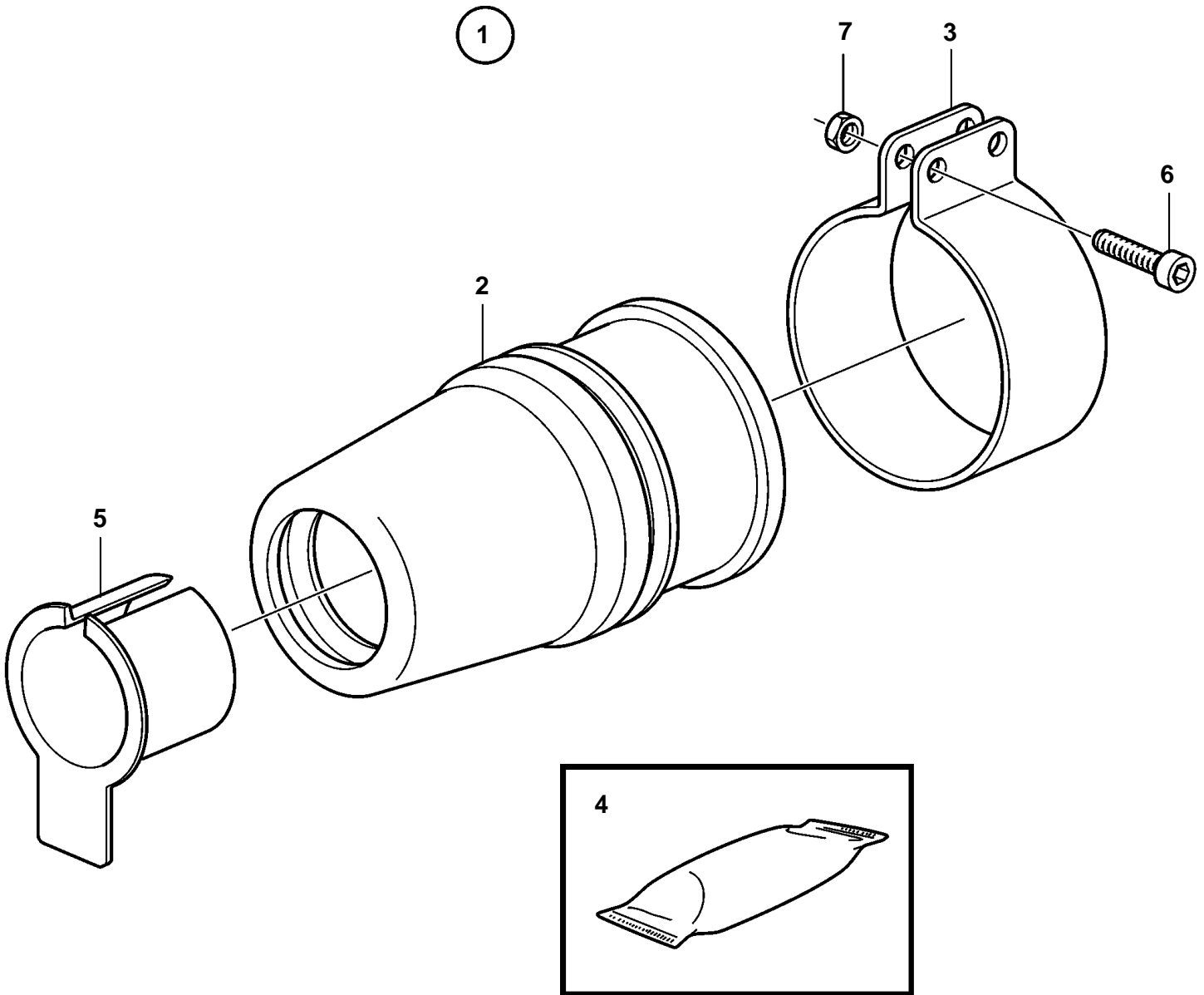


D2-75A, D2-75B, D2-75C, D2-75F



6147

D2-75A, D2-75B, D2-75C, D2-75F

REF	PART NO.	QTY	DESCRIPTION	SEE SEC.	NOTES
1	828254	1	Sealing · Bulletin P-44-6-1	P-44-6-1-EN	D=25mm Rubber Stuffing Box
1	828422		Sealing · Bulletin P-44-6-1	P-44-6-1-EN	D=30mm Rubber Stuffing Box
2		1	· Sealing sleeve		
3	828142	1	· Clamp		
	828418	1	· Clamp		
4	828250	1	· Lubricating grease		
5		1	· Sleeve		
6	963684	2	· Hex. socket screw		
7	966170	2	· Lock nut		