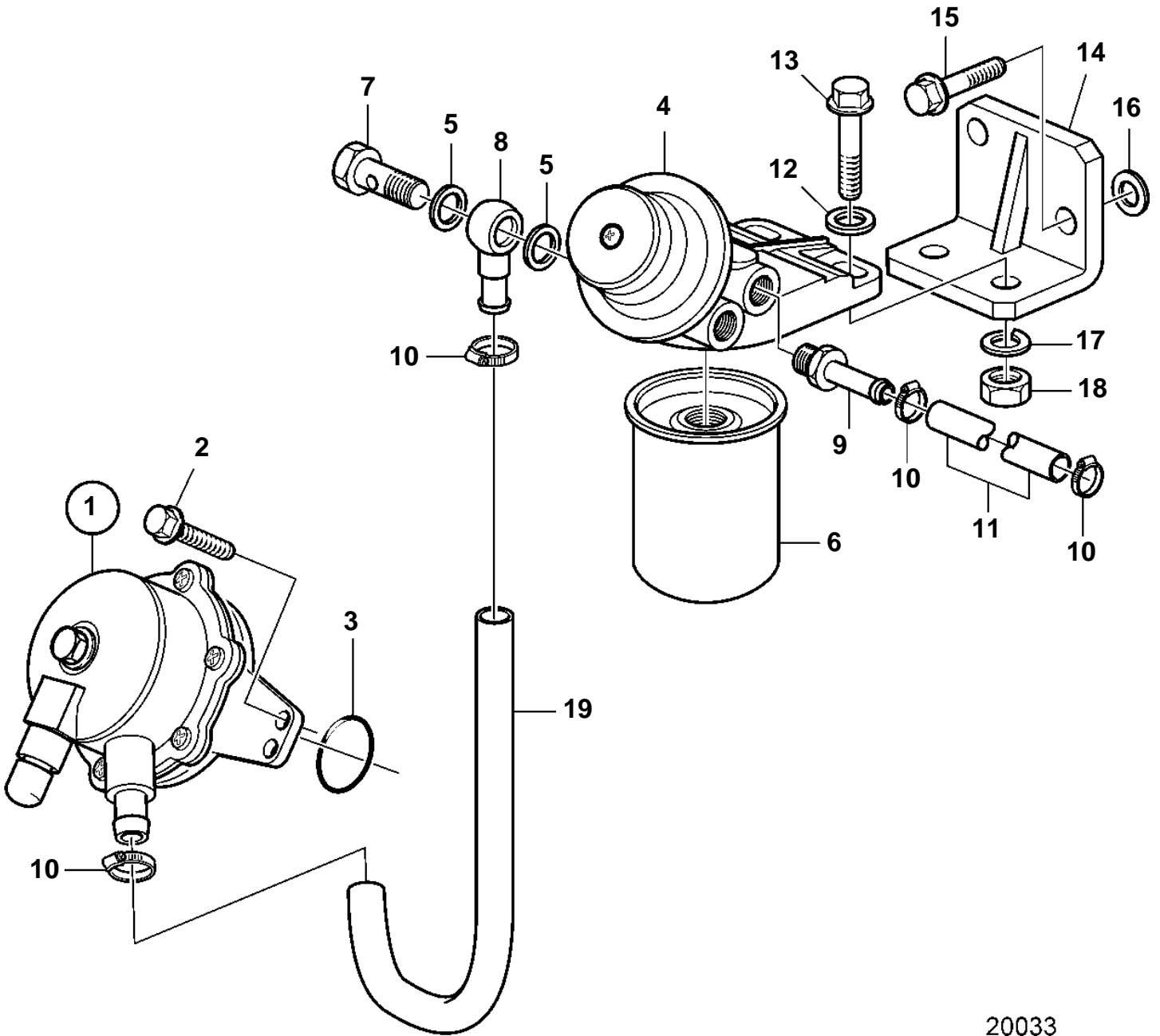


D2-75A, D2-75B, D2-75C



20033

D2-75A, D2-75B, D2-75C

| REF | PART NO. | QTY | DESCRIPTION |
|-----|----------|-----|---------------|
| 1 | 3584126 | 1 | Feed pump |
| 2 | 967949 | 1 | Flange screw |
| 3 | 3589332 | 1 | O-ring |
| 4 | 3584125 | 1 | Fuel filter |
| 5 | 969011 | 5 | Gasket |
| 6 | 861477 | 1 | Fuel filter |
| 7 | 3580098 | 1 | Hollow screw |
| 8 | 3580101 | 1 | Banjo nipple |
| 9 | 3809680 | 1 | Nipple |
| 10 | 961664 | 4 | Hose clamp |
| 11 | 3809681 | 1 | Hose |
| 12 | 969011 | 2 | Gasket |
| 13 | 3809679 | 2 | Screw |
| 14 | 3584424 | 1 | Bracket |
| 15 | 3809679 | 2 | Screw |
| 16 | 3580031 | 2 | Washer |
| 17 | 3580015 | 2 | Spring washer |
| 18 | 971071 | 2 | Hexagon nut |
| 19 | 3809681 | 1 | Hose |