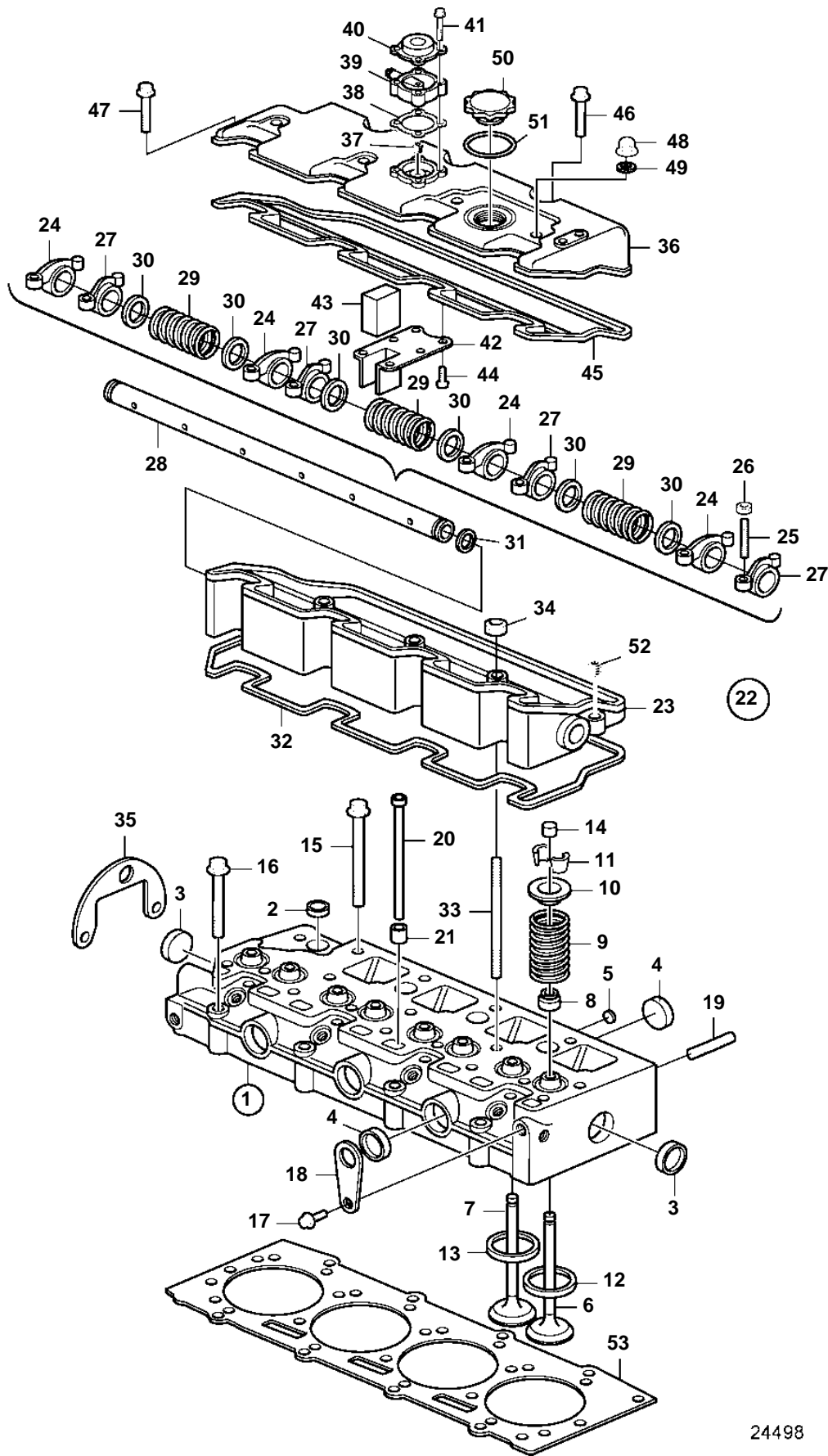


D2-75F



24498

D2-75F

REF	PART NO.	QTY	DESCRIPTION	NOTES
1	3801334	1	Cylinder head, exch	
2	3886428	7	· Cardboard tube	
3	3580302	2	· Plug	
4	3583696	6	· Plug	
5	3580477	3	· Plug	
6	21186281	4	· Valve, intake	
7	21186282	4	· Valve, exhaust	
8	3580306	4	· Valve stem seal, intake	
	3580305	4	· Valve stem seal, exhaust	
9	3580964	8	· Valve spring	
10	3580307	8	· Valve spring washer	
11	3580308	16	· Valve cone	
12	3842086	4	· Valve seat, intake	
13	3809624	4	· Valve seat, exhaust	
14	21250646	8	Valve cap	
15	3580483	14	Screw	
16	3580484	4	Screw	
17	861870	1	Screw	
18	3583556	1	Lifting eye	
19	3580520	4	Stud	
20	3583662	8	Push rod	
21	3580464	8	Tappet	
22	21186316	1	Rocker arm	Complete
23		1	· Bracket	
24	3580487	4	· Rocker arm	
25	861877	8	· Screw	
26	861878	8	· Nut	
27	3580486	4	· Rocker arm	
28	3583547	1	· Shaft	
29	3580490	3	· Spring	
30	3580491	6	· Adjusting washer	
31	861997	1	· O-ring	
32	3583546	1	Gasket	
33	3580493	4	Stud	
34	3583664	4	Nut	
35		1	Lifting eye	
36	3584114	1	Valve cover	
37	3809690	1	Plug	
38	3584112	1	Gasket	
39	3584111	1	Adapter	
40	3583660	1	Breather pipe	
41	3584113	4	Screw	
42	3583661	1	Retainer	
43	3580320	1	Filter	
44	3583663	6	Screw	
45	889486	1	Gasket	
46	965178	3	Flange screw	
47	3580258	2	Screw	
48	3580241	4	Nut	
49	3580499	4	Gasket	
50	21311518	1	Cover	
51	861897	1	O-ring	
52	3809690	1	Plug	
53	21186298	1	Gasket	TH = 1.2mm
	21186299	1	Gasket	TH = 1.3mm