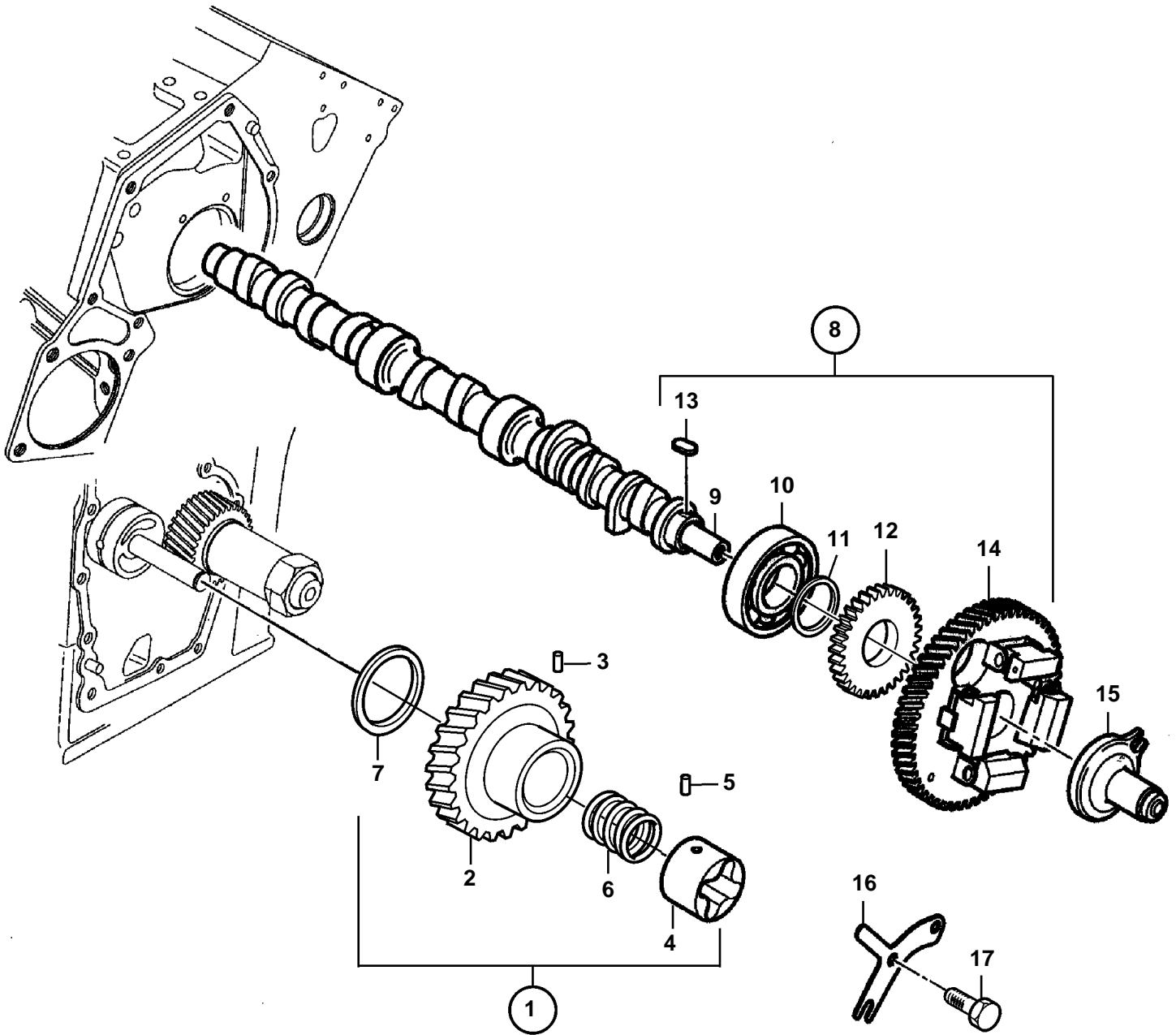


D2-75A, D2-75B, D2-75C



20038

D2-75A, D2-75B, D2-75C

| REF | PART NO. | QTY | DESCRIPTION    | NOTES   |
|-----|----------|-----|----------------|---|
| 1   | 3580569  | 1   | Gear           |   |
| 2   |          |     | · Gear         |   |
| 3   | 3583721  | 3   | · Bushing      |   |
| 4   | 3583722  | 1   | · Vane         | Replaced by 1 pc complete oil pump gear 3580569 |
| 5   | 3583723  | 3   | · Locating pin |   |
| 6   | 861988   | 1   | · Spring       |   |
| 7   | 861986   | 1   | Thrust washer  |   |
| 8   | 3583548  | 1   | Camshaft       | Replaced by 3586433                             |
|     | 3586433  |     | Camshaft       |   |
| 9   |          | 1   | · Camshaft     |   |
| 10  | 3583715  | 1   | · Bearing      |   |
| 11  | 3583717  | 1   | · Spacer       |   |
| 12  | 861982   | 1   | · Gear         |   |
| 13  | 861969   | 1   | · Woodruff key |   |
| 14  | 3583718  | 1   | · Gear         |   |
| 15  | 3580568  | 1   | Sliding sleeve |   |
| 16  | 3583720  | 1   | Plate          |   |
| 17  | 861526   | 1   | Screw          |   |