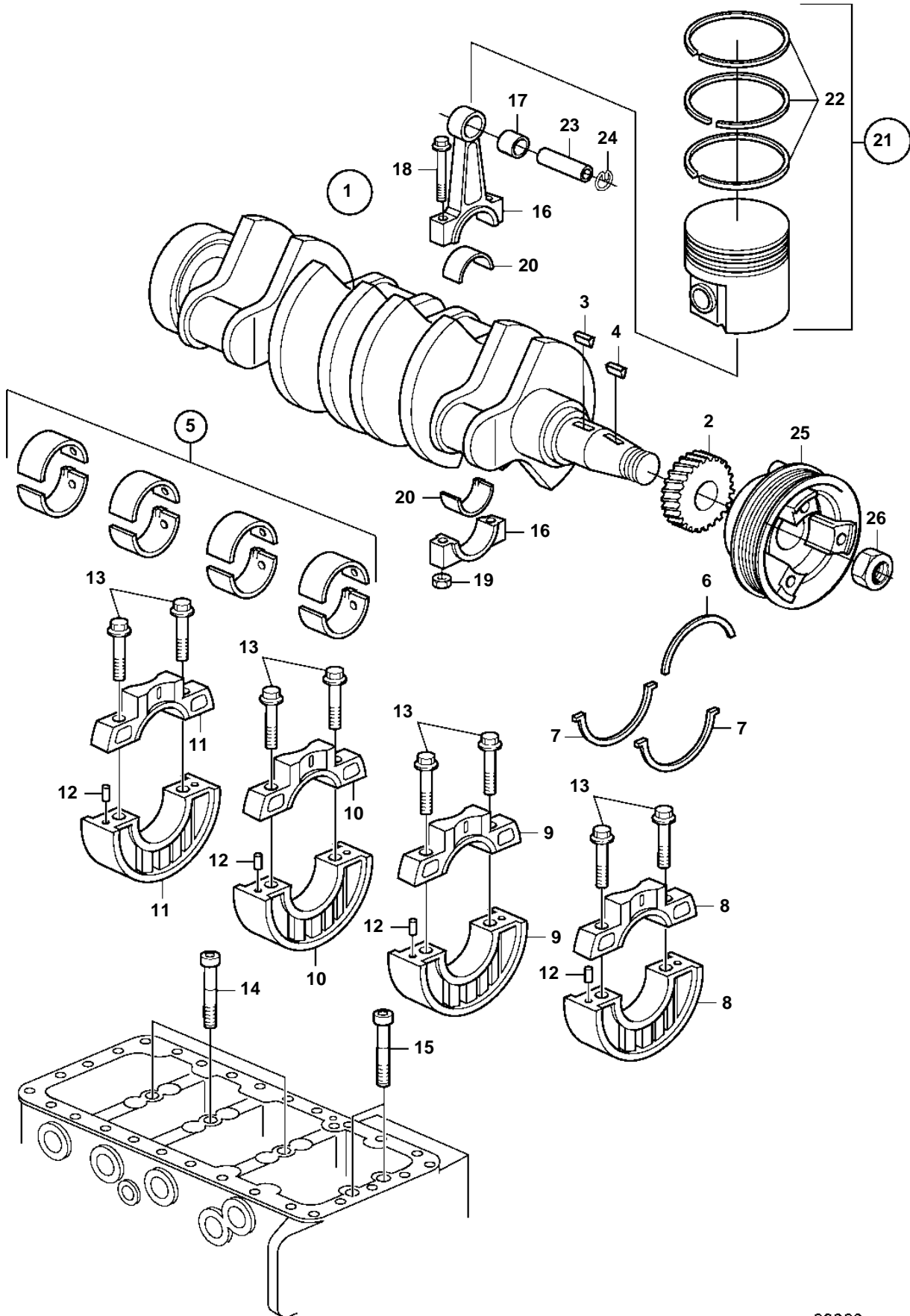


D2-75A, D2-75B, D2-75C, D2-75F



20023

D2-75A, D2-75B, D2-75C, D2-75F

REF	PART NO.	QTY	DESCRIPTION	NOTES
1	3583549	1	Crankshaft	
2	3580532	1	• Gear	D2-75A, D2-75B, D2-75C
	21274781	1	• Gear	D2-75F
3	861969	1	• Woodruff key	
4	861934	1	• Key	
5	877387	1	Main bearing kit	
6	3583674	1	Thrust washer, upper	
7	3580543	2	Thrust washer, lower	
8		1	Main bearing	
9		1	Main bearing	
10		1	Main bearing	
11		1	Main bearing	
12		4	Pin	
13	965221	8	Flange screw	
14	965188	3	Flange screw	
15	3583673	2	Screw	
16	3583683	4	Connecting rod	
17	3580553	1	• Bushing	
18	3580554	2	• Screw	
19	3580555	2	• Nut	
20	877388	1	Big-end bearing kit	
21	21301841	4	Piston kit	
22	21301848	4	• Piston ring kit	
23	3580550	4	Piston pin	
24	3580551	8	Lock ring	
25	3584084	1	Pulley	D2-75A, D2-75B, D2-75C
	21194509	1	Pulley	D2-75F
26	3580563	1	Nut	