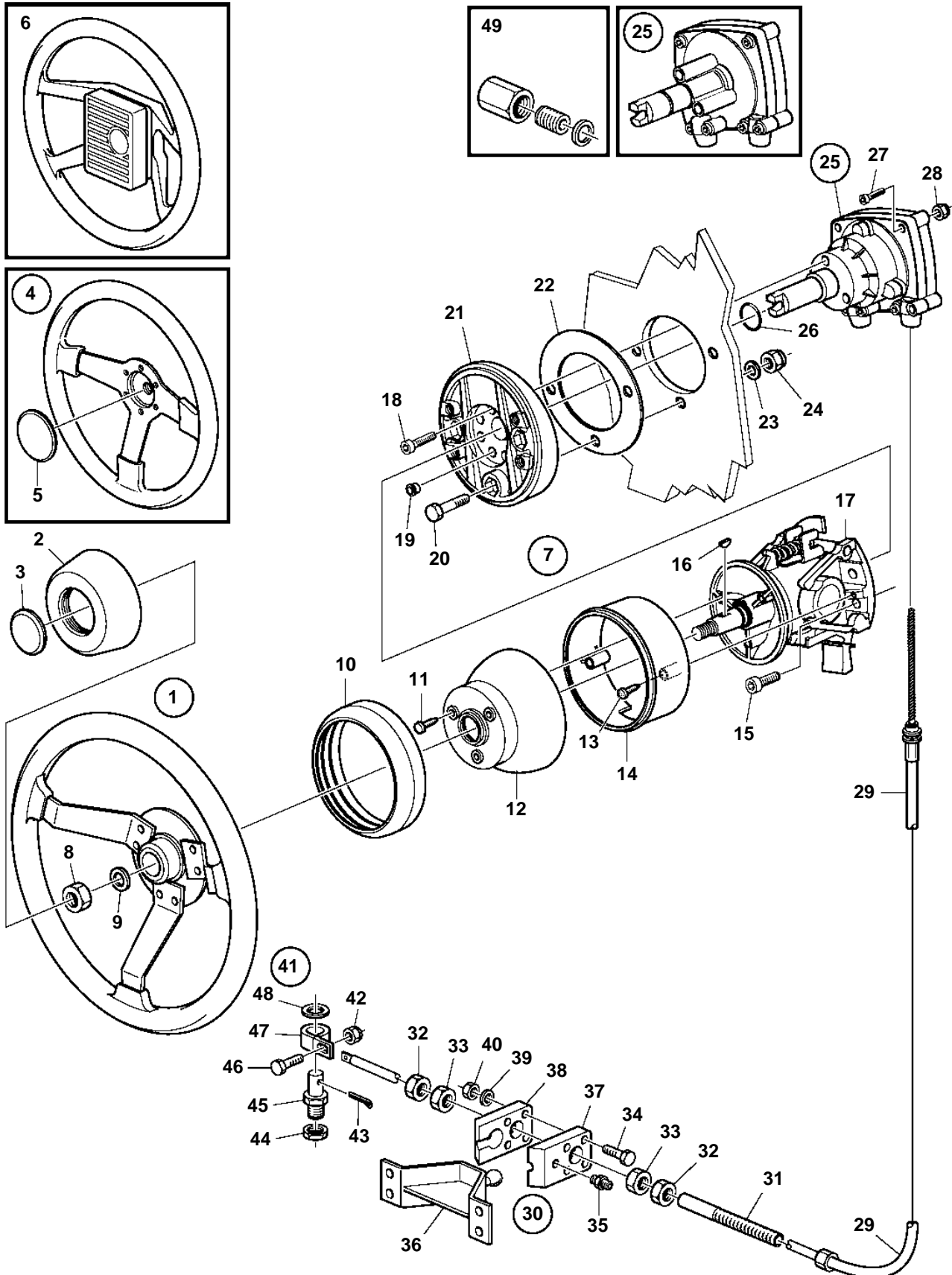


D2-55A, D2-55B, D2-55C, D2-55D, D2-55E, D2-55F



22685

D2-55A, D2-55B, D2-55C, D2-55D, D2-55E, D2-55F

REF	PART NO.	QTY	DESCRIPTION	SEE SEC.	NOTES
1	850936	1	Steering wheel		ALT
2		1	• Steering wheel pad		
3	1140660	1	• Emblem		(850938)
4	3843317	1	Wheel		ALT
5		1	• Emblem		
6	1140334	1	Steering wheel		ALT, WHITE
	1140335	1	Steering wheel		ALT, BLACK
7	3841280	1	Steering wheel adjus		
8	971084	1	• Lock nut		
9	955897	1	• Washer		
10		1	• Sealing strip		
11		3	• Screw		
12		1	• Cover		Agile
13		2	• Screw		
14		1	• Cover		Fixed
15		4	• Allen head screw		
16	160807	1	• Woodruff key		
17		1	• Anchorage		Steering wheel
18		3	• Allen head screw		
19		5	• Plug		
20		3	• Screw		
21		1	• Bracket		
22		1	• Gasket		
23		3	• Washer		
24		3	• Nut		
25	3818025	1	Steering gear		T81C
			• Bulletin P-64-0-1	P-64-0-1-EN	New QL Mechanical and Hydraulic Steering Systems
25	3818027	1	Steering gear		NO-FEEDBACK, TILT WHEEL
			• Bulletin P-64-0-1	P-64-0-1-EN	New QL Mechanical and Hydraulic Steering Systems
26	990696	1	• O-ring		
27	955278	2	• Hexagon screw		
28	963105	2	• Lock nut		
29	3840244	1	Steering cable		L=2000mm
	3840245	1	Steering cable		L = 2250mm
	3840246	1	Steering cable		L=2500mm
	3840247	1	Steering cable		L = 2750mm
	3840248	1	Steering cable		L=3000mm
	3840249	1	Steering cable		L = 3250mm
	3840250	1	Steering cable		L = 3500mm
	3840251	1	Steering cable		L=3750mm
	3840252	1	Steering cable		L=4000mm
	3840253	1	Steering cable		L = 4250mm
	3840254	1	Steering cable		L = 4500mm
	3840255	1	Steering cable		L = 4750mm
	3840256	1	Steering cable		L=5000mm
	3840257	1	Steering cable		L = 5250mm
	3840258	1	Steering cable		L = 5500mm
	3840259	1	Steering cable		L = 5750mm
	3840260	1	Steering cable		L = 6000mm
	3840261	1	Steering cable		L = 6250mm
	3840262	1	Steering cable		L = 6500mm
	3840263	1	Steering cable		L = 6750mm
	3840264	1	Steering cable		L=7000mm
	3840265	1	Steering cable		L = 7250mm
	3840266	1	Steering cable		L = 7500mm
	3840267	1	Steering cable		L=7750mm
	3840268	1	Steering cable		L=8000mm
	3840270	1	Steering cable		L=8250mm
	3840272	1	Steering cable		L = 8500mm
	3840273	1	Steering cable		L=8750mm
	3840274	1	Steering cable		L=9000mm
30	853290	1	Stern attachment		
31	850771	1	• Anchorage		

