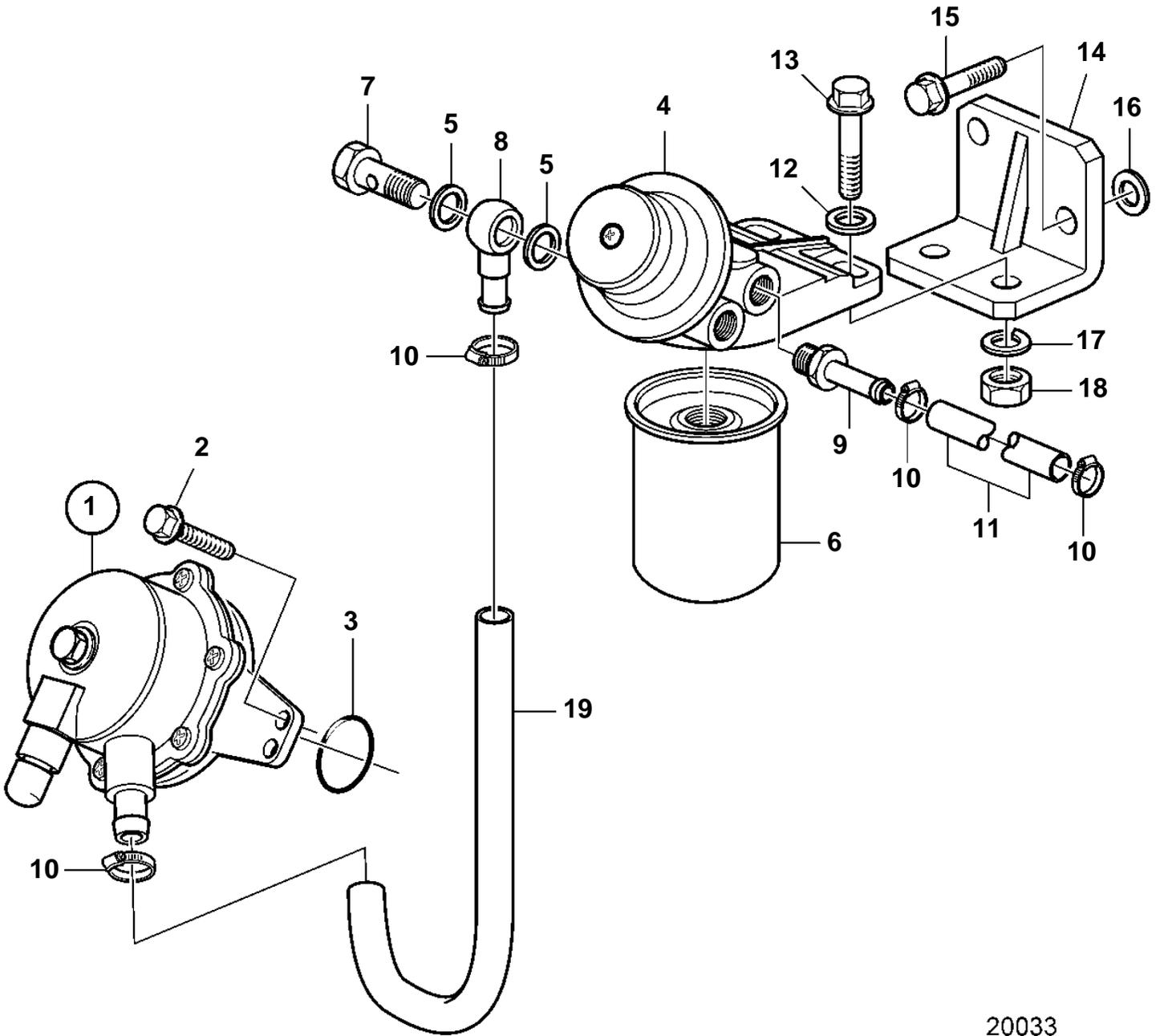


D2-55A, D2-55B, D2-55C, D2-55D, D2-55E



20033

D2-55A, D2-55B, D2-55C, D2-55D, D2-55E

REF	PART NO.	QTY	DESCRIPTION
1	3584126	1	Feed pump
2	967949	1	Flange screw
3	3589332	1	O-ring
4	3584125	1	Fuel filter
5	969011	5	Gasket
6	861477	1	Fuel filter
7	3580098	1	Hollow screw
8	3580101	1	Banjo nipple
9	3809680	1	Nipple
10	961664	4	Hose clamp
11	3809681	1	Hose
12	969011	2	Gasket
13	3809679	2	Screw
14	3584424	1	Bracket
15	3809679	2	Screw
16	3580031	2	Washer
17	3580015	2	Spring washer
18	971071	2	Hexagon nut
19	3809681	1	Hose