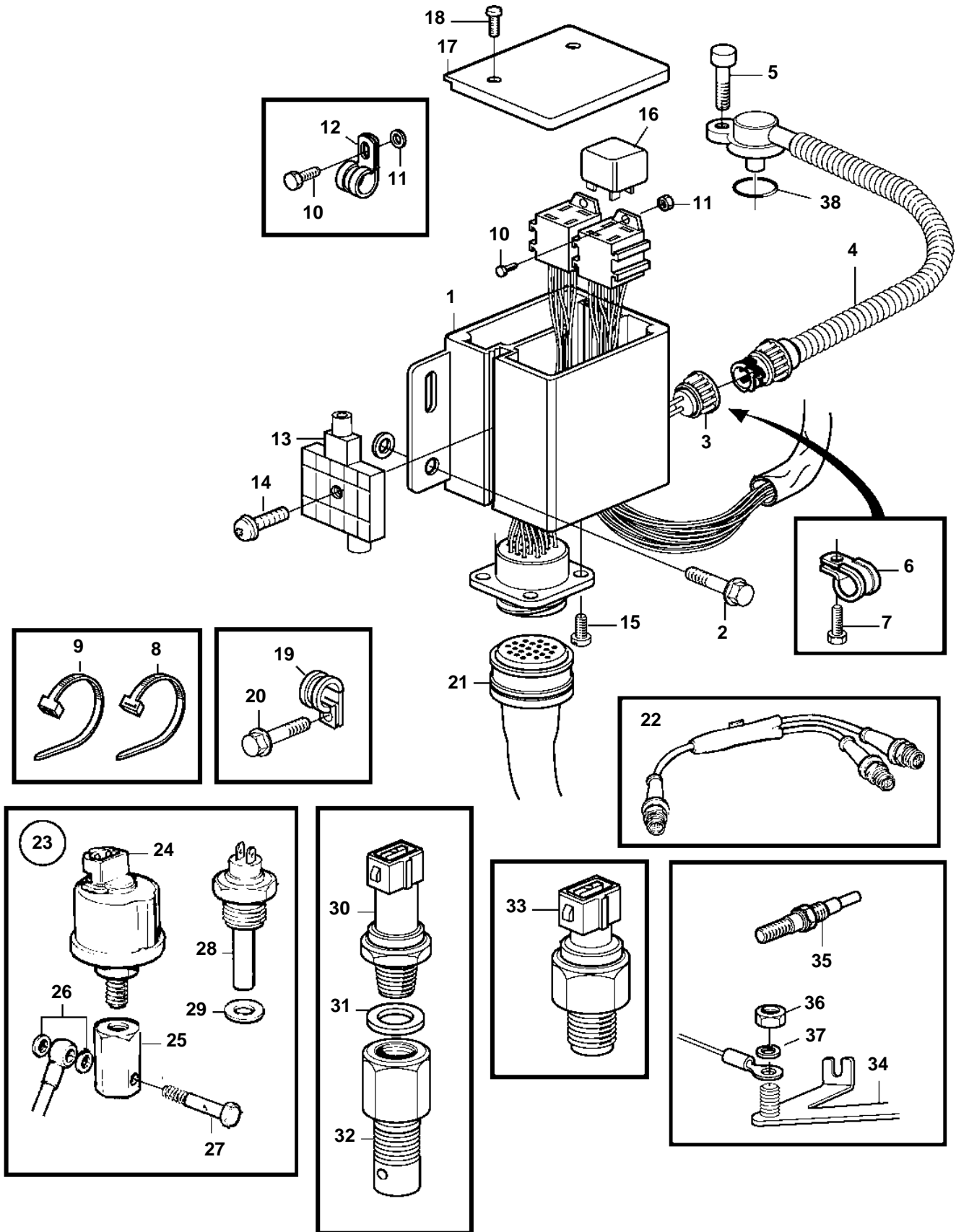


D2-55A, D2-55B



18962

D2-55A, D2-55B

REF	PART NO.	QTY	DESCRIPTION	NOTES
1	861648	1	Electrical distribut	
2	3580269	2	Screw	
3	874442	1	Wiring harness	
4	3944124	1	Sensor	
5	963684	1	Hex. socket screw	
6	968476	1	Flange screw	
7	952639	1	Clamp	
8	948211	1	Cable tie	L=170mm
9	948616	1	Cable tie	L=375mm
10	948663	3	Flange screw	
11	955780	3	Hexagon nut	
12	952627	1	Clamp	
13	873566	1	Fuse box	
14	955142	1	Cross recessed screw	
15	955119	4	Cross recessed screw	
16	873765	2	Relay	
17	861681	1	Cardboard tube	
18	955142	2	Cross recessed screw	
19	947191	1	Clamp	For cabel to glow plug
20	947107	1	Flange screw	
21	846648	1	Extension cable\verl	L=3.0m
	846649	1	Extension cable\verl	L=5.0m
	846650	1	Extension cable\verl	L=7.0m
	873838	1	Extension cable\verl	L=9.0m
	873839	1	Extension cable\verl	L=11.0m
22	1140598	1	Distributing contact	For double steering positions.
23	873569	1	Sensor kit	
24	366906	1	• Pressure sensor	
25	861388	1	• Adapter	
26	947620	3	• Gasket	
27	861389	1	• Hollow screw	
28	827151	1	• Temperature sensor	
29	11998	1	• Gasket	
30	3583569	1	Temperature sensor	
31	11992	2	Gasket	
32	3583575	1	Hollow screw	
33	3583570	1	Pressure monitor	
34	3583571	1	Current bar	
35	3583025	4	Glow plug	
36		1	Nut	
37		1	Washer	
38	974673	1	O-ring	