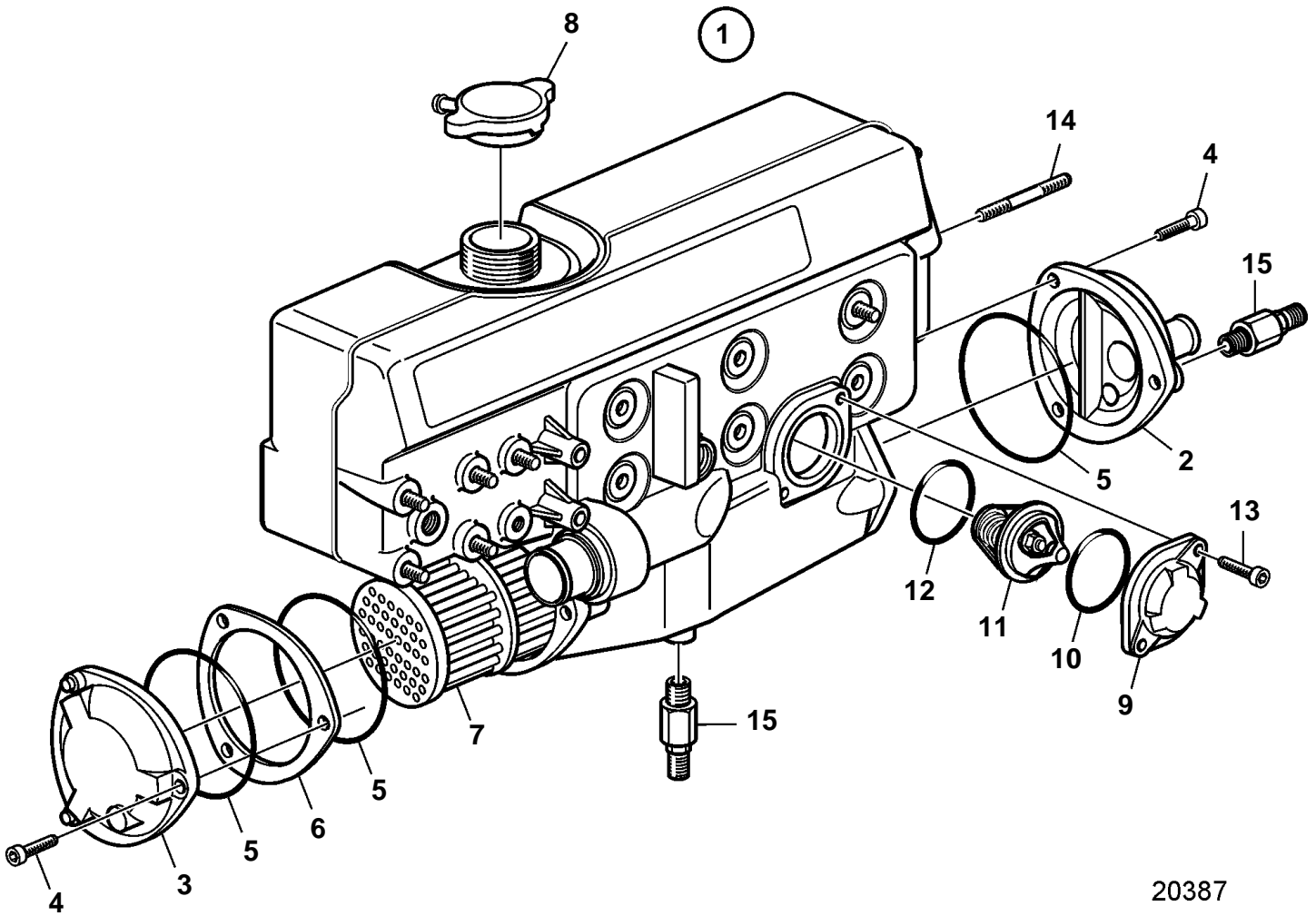


D2-55C, D2-55D, D2-55F



D2-55C, D2-55D, D2-55F

REF	PART NO.	QTY	DESCRIPTION	NOTES
1	3808561	1	Heat exchanger	
2	888628	1	· Cover	
3	888627	1	· Heater	
4	3838337	6	· Screw	
5	3581070	3	· O-ring	
6	3580870	1	· Washer	
7	888626	1	· Heater	
8	888625	1	· Cardboard tube	
9	888622	1	· Thermostat	
10	3583830	1	· O-ring	(888623)
11	888624	1	· Thermostat	
12	3586514	1	· O-ring	
13	959222	2	· Hex. socket screw	
14	3584203	4	· Stud	
15	949918	2	Shut-off cock	