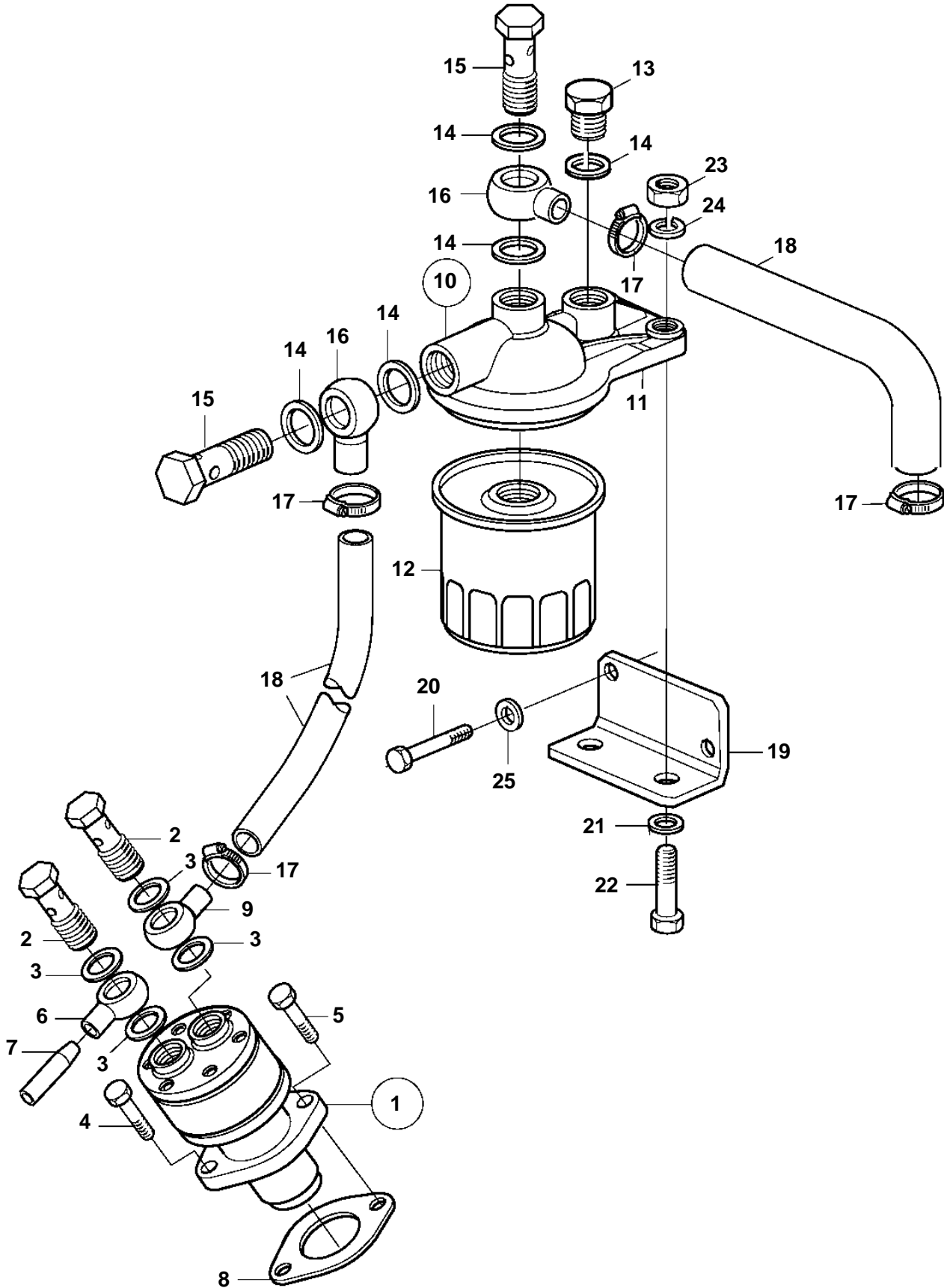


D2-55A, D2-55B



D2-55A, D2-55B

REF	PART NO.	QTY	DESCRIPTION	SEE SEC.	NOTES
1	3580100	1	Feed pump	5490	
2	3580204	2	Hollow screw		
3	11992	4	Gasket		
4	3583785	1	Screw		L=14mm
5	3580269	1	Screw		L=16mm
6	3580107	1	Banjo nipple		
7	3582507	1	Strainer		
8	3580111	1	Gasket		
9	3583784	1	Connector		
10	3580095	1	Fuel filter		
11		1	· Filter housing		
12	861477	1	· Filter insert		
13	837322	1	· Nipple		
14	969011	5	· Gasket		
15	3580098	2	· Hollow screw		
16	3580101	2	Banjo nipple		
17	961664	4	Hose clamp		
18	3583782	2	Fuel hose		
19	3583558	1	Bracket		
20	946173	2	Flange screw		(861849)
21	3580031	2	Washer		
22	3583783	2	Screw		
23	971071	2	Nut		
24	3580015	2	Spring washer		
25	955894	2	Washer		