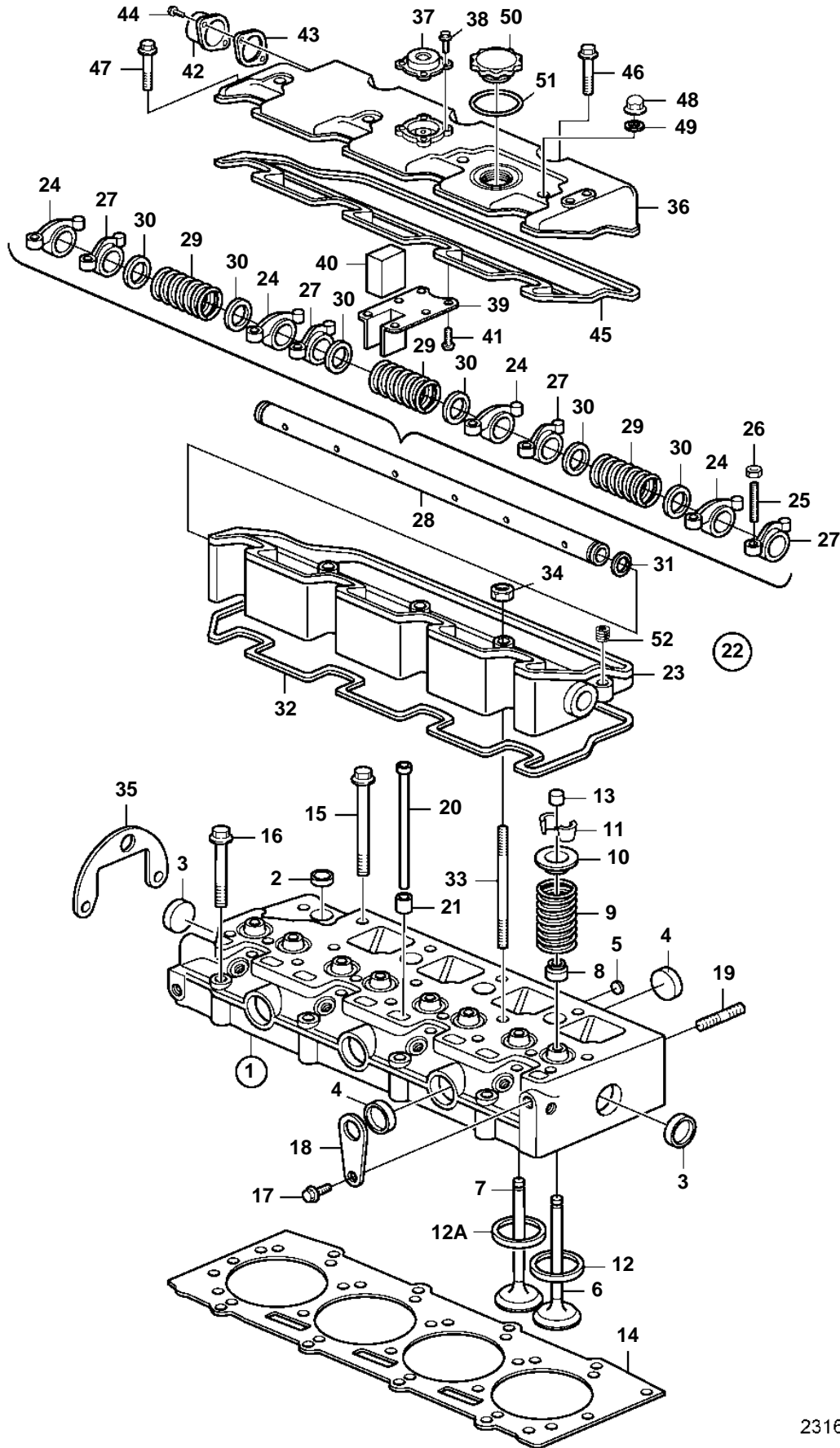


D2-55A, D2-55B, D2-55C



23168

D2-55A, D2-55B, D2-55C

REF	PART NO.	QTY	DESCRIPTION	NOTES
1	3583522	1	Cylinder head	
2	861802	7	· Plug	
3	3580302	2	· Plug	
4	3583696	6	· Plug	(3580281)
5	3580477	3	· Plug	
6	3580478	4	· Inlet valve	
7	3580479	4	· Exhaust valve	
8	3580306	4	· Valve stem seal, intake	
	3580305	4	· Valve stem seal, exhaust	
9	3580964	8	· Valve spring	
10	3580307	8	· Valve spring washer	
11	3580308	16	· Valve cone	
12	3580660	4	· Valve seat, intake	
12A	3809624	4	· Valve seat, exhaust	
13	3580481	8	Valve cap	
14	3809337	2	Gasket	(3583540, 3583694)
15	3580483	14	Screw	
16	3580484	4	Screw	
17	861870	1	Screw	
18	3583556	1	Lifting eye	
19	3583731	2	Stud	
20	3583662	8	Push rod	
21	3580464	8	Lifter	
22	3583543	1	Rocker arm	CMPL
23		1	· Bracket	
24	3580487	4	· Rocker arm	
25	861877	8	· Adjuster screw	
26	861878	8	· Nut	
27	3580486	4	· Rocker arm	
28	3583547	1	· Rocker arm shaft	
29	3580490	3	· Spring	
30	3580491	6	· Shim	
31	861997	1	· O-ring	
32	3583546	1	Gasket	
33	3580493	4	Stud	
34	3583664	4	Nut	
35		1	Lifting eye	
36	889485	1	Valve cover	
37	3583660	1	Valve	
38	3583659	4	Screw	
39	3583661	1	Retainer	
40	3580320	1	Filter	
41	3583663	6	Screw	
42	3583657	1	Adapter	
43	3583658	1	Gasket	
44	3580013	2	Screw	
45	889486	1	Gasket	
46	965178	3	Flange screw	
47	3580258	2	Screw	L=35mm
48	3580241	4	Nut	
49	3580499	4	Gasket	
50	3583541	1	Oil filler cap	
51	861897	1	O-ring	
52	3809690	1	Plug	(3583698)