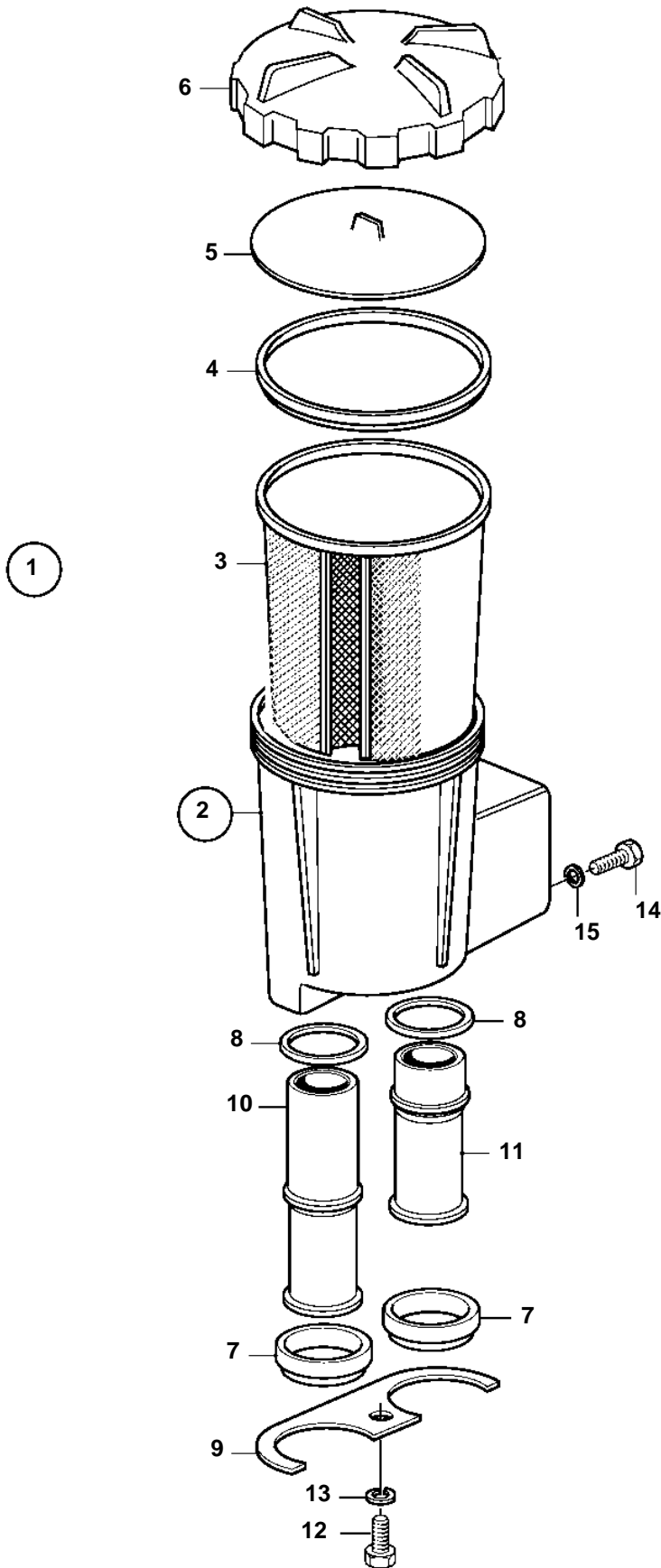


D2-55A, D2-55B, D2-55C



D2-55A, D2-55B, D2-55C

REF	PART NO.	QTY	DESCRIPTION	NOTES
1	3583838	1	Sea water filter	
2	842924	1	· Strainer	
3	842723	1	· · Strainer	
4	842724	1	· · Seal	
5	842982	1	· · Pressure plate	
6	842722	1	· · Cover	
7	847108	2	· Retainer	
8	858986	2	· Sealing ring	
9	860832	1	· Retainer	
10	861370	1	· Tube	Inlet.
11	840524	1	· Tube	Outlet.
12	955270	1	· Screw	
13	941906	1	· Spring washer	
14	965215	4	· Screw	(955296)
15	941907	4	· Spring washer	