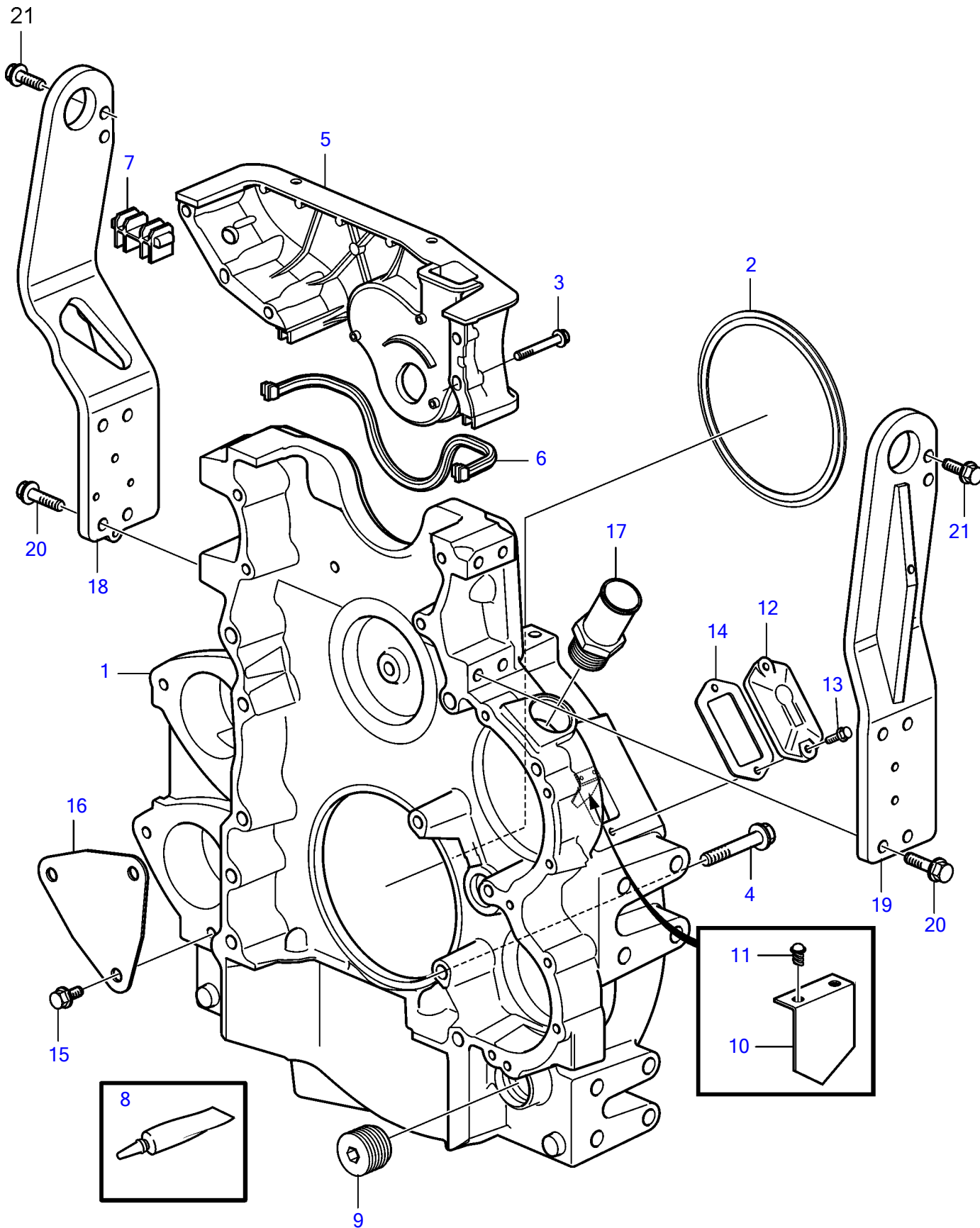


D16C-A MH, D16C-B MH, D16C-C MH



D16C-A MH, D16C-B MH, D16C-C MH

REF	PART NO.	QTY	DESCRIPTION	NOTES
1	3886300	1	Flywheel housing	
2	85108352	1	Crankshaft seal	
3	947760	4	Flange screw	L=40mm
	965180	1	Flange screw	L=60mm
4	965189	5	Flange screw	M10x90mm
	966366	6	Flange screw	M14x90mm
	966367	1	Flange screw	M14x100mm
5	20853452	1	Timing gear cover	
6	20815558	1	Sealing strip	(20747434)
7	20572441	2	Gasket	
8	1161277	X	Sealant	20g
9	467367	1	Plug	
10	849405	1	Setting indicator	
11	905654	2	Drive screw	
12	4772168	1	Cover	
13	946934	2	Flange screw	
14	4804167	1	Gasket	
15	946502	3	Flange screw	
16	849135	1	Cover	
17	942315	1	Hose nipple	
18		1	Lifting eye	
19		1	Lifting eye	
20	975110	8	Flange screw	
21	946472	4	Flange screw	