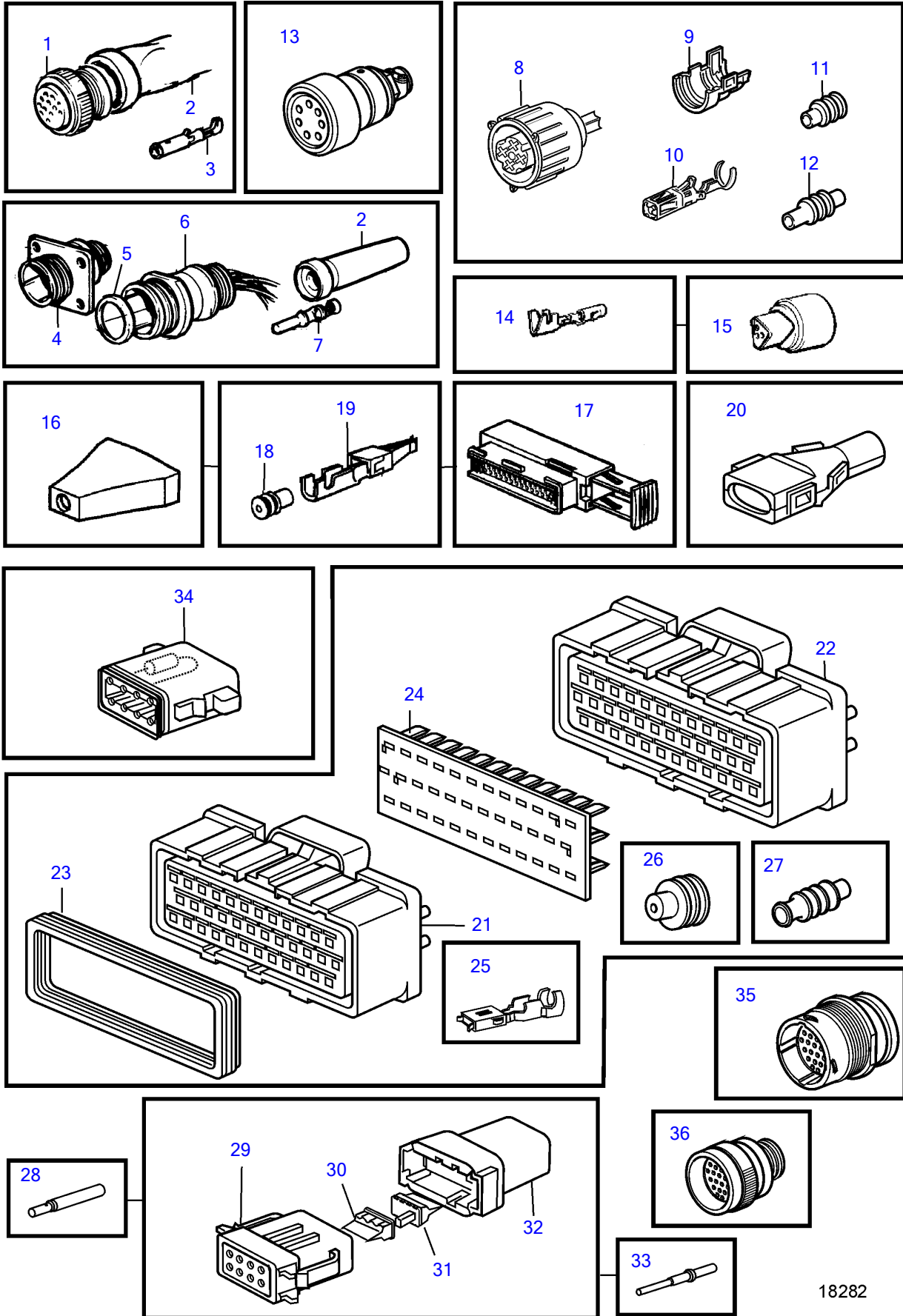


D16C-A MH, D16C-B MH, D16C-C MH



18282

D16C-A MH, D16C-B MH, D16C-C MH

REF	PART NO.	DESCRIPTION	NOTES
1	846612	Housing	16-pole
2	847005	Sealing collar	L=100mm D=20mm
3	849959	Cable terminal	
4	846611	Housing	16-pole
5	846615	Sealing ring	
6	846647	Block	16-pole
7	849958	Cable terminal	1,6x0,5-1,5mm ²
8	8159013	Housing	4-pole
9		Adapter	
10	8155901	Cable terminal	
11	8155900	Cable seal	
12	8155899	Sealing plug	
13	1618737	Switch	7-pole
14	853521	Cable terminal	
15	(853498)	Anode kit	Obsolete part, 3-pole
16	873632	Protecting sleeve	
17	9148263	Housing	42-pole
18	970772	Cable seal	1,2-2,1mm ² blue
	9148107	Seal	1,4-2,0 grey
	25325008	Cable seal	2,2-3mm ² white
19	9148135	Switch	1,6x0,5-1mm ²
	970778	Cable terminal	4,8/2,8x0,5-1mm ²
	970779	Cable terminal	4,8/2,8x1,1-2,5mm ²
20	8142100	Adapter	
21	977532	Housing	24-pole black
22	977897	Housing	24-pole red
23		• Seal	
24	977533	Insulator retainer	
25	977539	Cable terminal	
26	1079234	Seal	Brown
27	977540	Cable seal	Gray
28	874146	Cable terminal	
29	874142	Housing	8-pole
30	874144	Wedge	Orange
31	874145	Wedge	Orange
32	874143	Housing	8-pole
33	874147	Cable terminal	
34	874271	Resistor, end terminator	
35	874112	Connector unit	From control panel to engine. 23-pole.
36	874092	Connector unit	From engine to control panel. 23-pole.