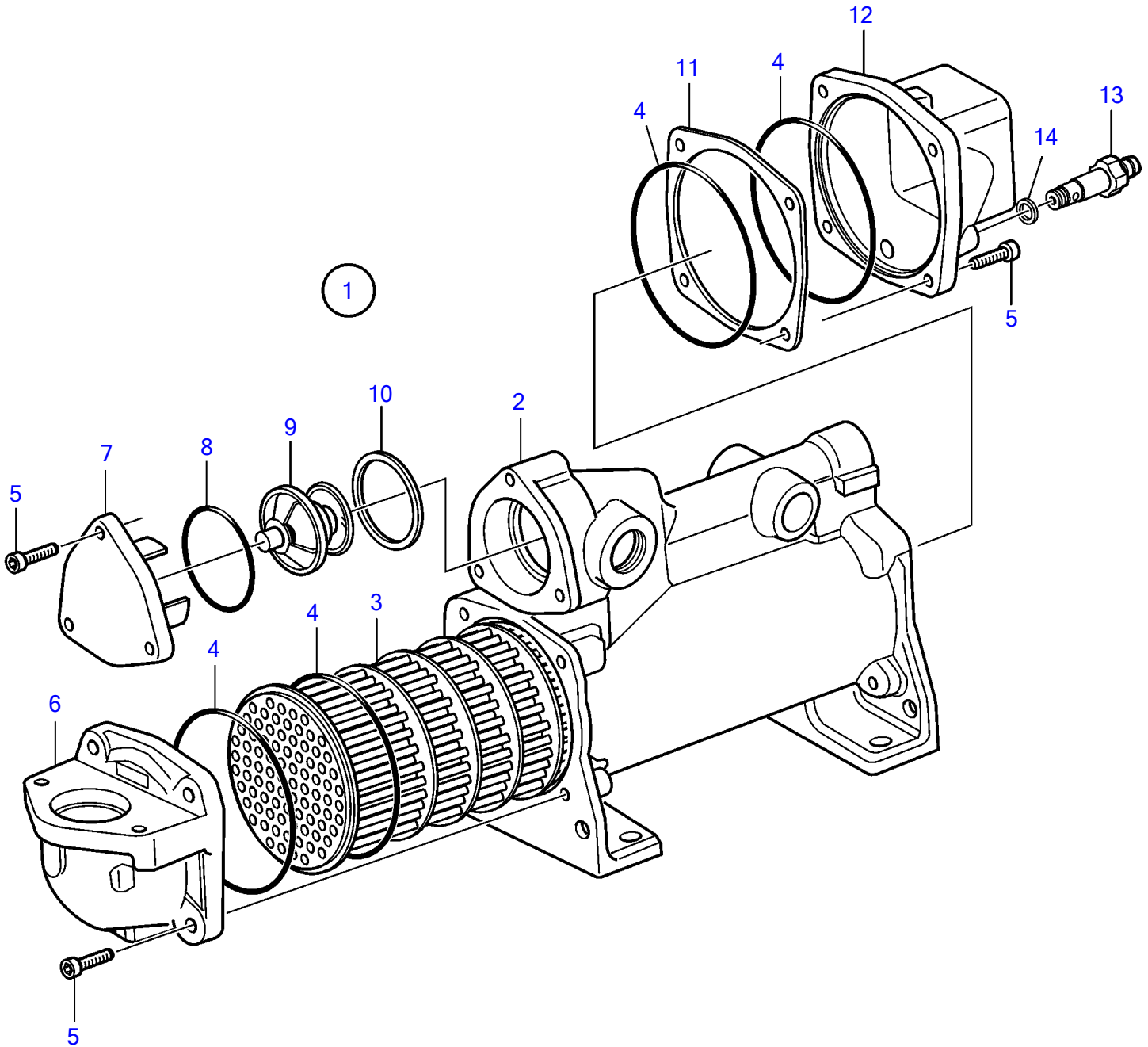


D16C-A MH, D16C-B MH, D16C-C MH



23503

D16C-A MH, D16C-B MH, D16C-C MH

| REF | PART NO. | QTY | DESCRIPTION |
|-----|----------|-----|------------------------|
| 1 | | 1 | Oil cooler |
| 2 | 3887420 | 1 | • Housing |
| 3 | 3887419 | 1 | • Heat exchanger eleme |
| 4 | 3838336 | 4 | • O-ring |
| 5 | 941761 | 11 | • Hex. socket screw |
| 6 | 3887422 | 1 | • End cover |
| 7 | 3887402 | 1 | • Cardboard tube |
| 8 | 3588888 | 1 | • O-ring |
| 9 | 3887403 | 1 | • Thermostat |
| 10 | 3584299 | 1 | • Gasket |
| 11 | 3838335 | 1 | • Spacer |
| 12 | 3887421 | 1 | • End cover |
| 13 | 3583822 | 1 | • Draining nipple |
| 14 | | | • • O-ring |