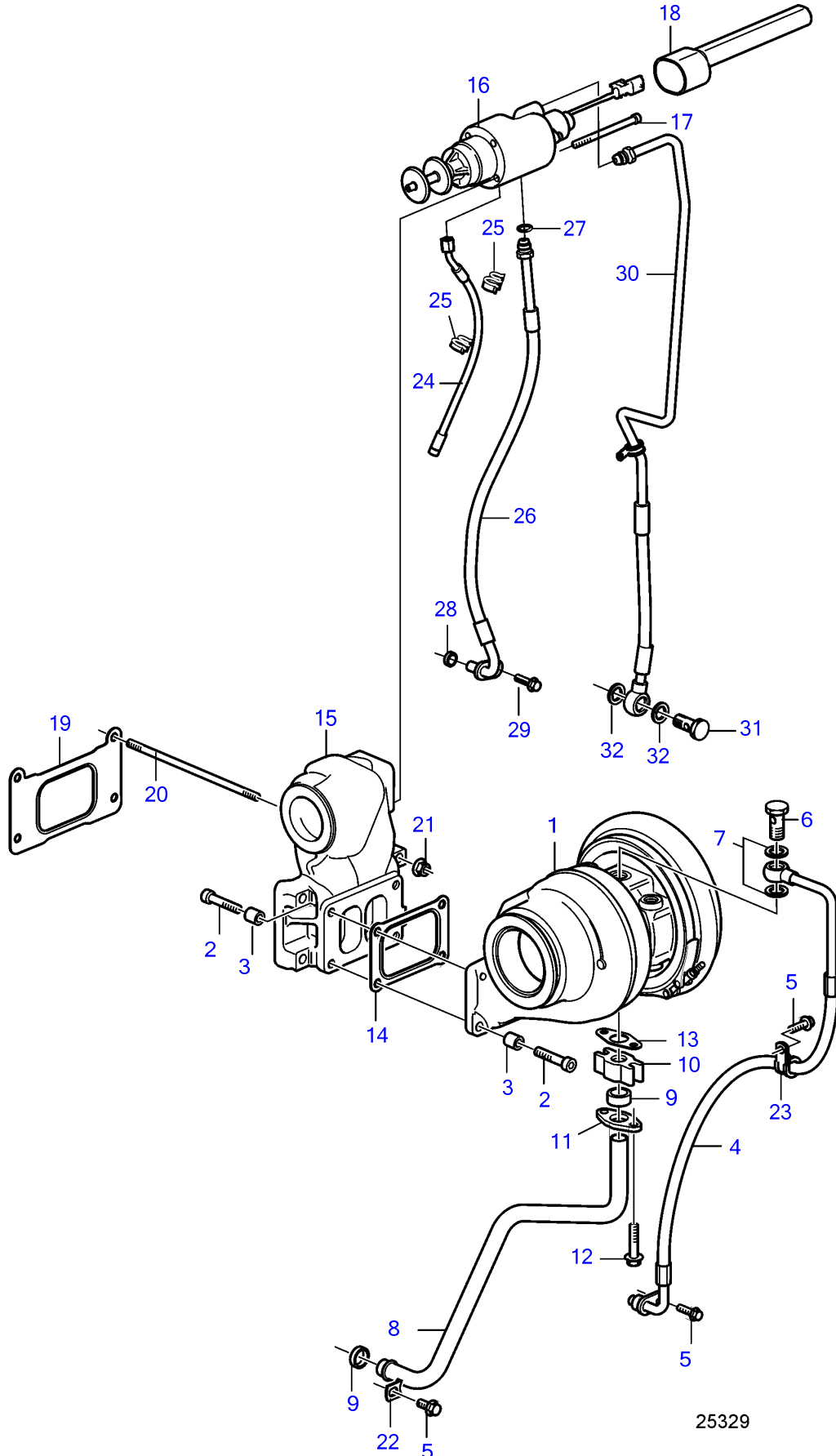


D13B-A MP, D13B-H MP



D13B-A MP, D13B-H MP

REF	PART NO.	QTY	DESCRIPTION	NOTES
1	3801317	1	Turbocharger • parts not sold separately	
2	994623	4	Six point screw	
3	994627	4	Spacer sleeve	
4	3889668	1	Pressure hose	
5	946440	3	Flange screw	
6	190714	1	Hollow screw	
7	11998	2	Gasket	
8	3889670	1	Oil return pipe	
9	469601	2	Sealing ring	
10	8148729	1	Connector	
11	469543	1	Flange	
12	947760	2	Flange screw	
13	470993	1	Gasket	
14	21514422	1	Gasket	
15	21448582	1	Valve housing	
16	21449708	1	By-pass valve	
17		4	• Screw	
18	21253174	1	Tube	
19	21424550	1	Gasket	
20	994624	4	Stud	
21	1543499	4	Flange nut	
22	1546531	1	Lock brace	
23	952629	1	Clamp	
24	21310830	1	Drain pipe	Earlier production
25	3545508	2	Retainer	Earlier production
26	21349349	1	Oil hose	
27	976971	1	O-ring	
28	20526428	1	Sealing ring	
29	949853	1	Flange screw	
30	3889673	1	Oil return pipe	
31	190714	1	Hollow screw	
32	976931	2	Gasket	

7749490-25-35839

25329

Upd:2012-02-08