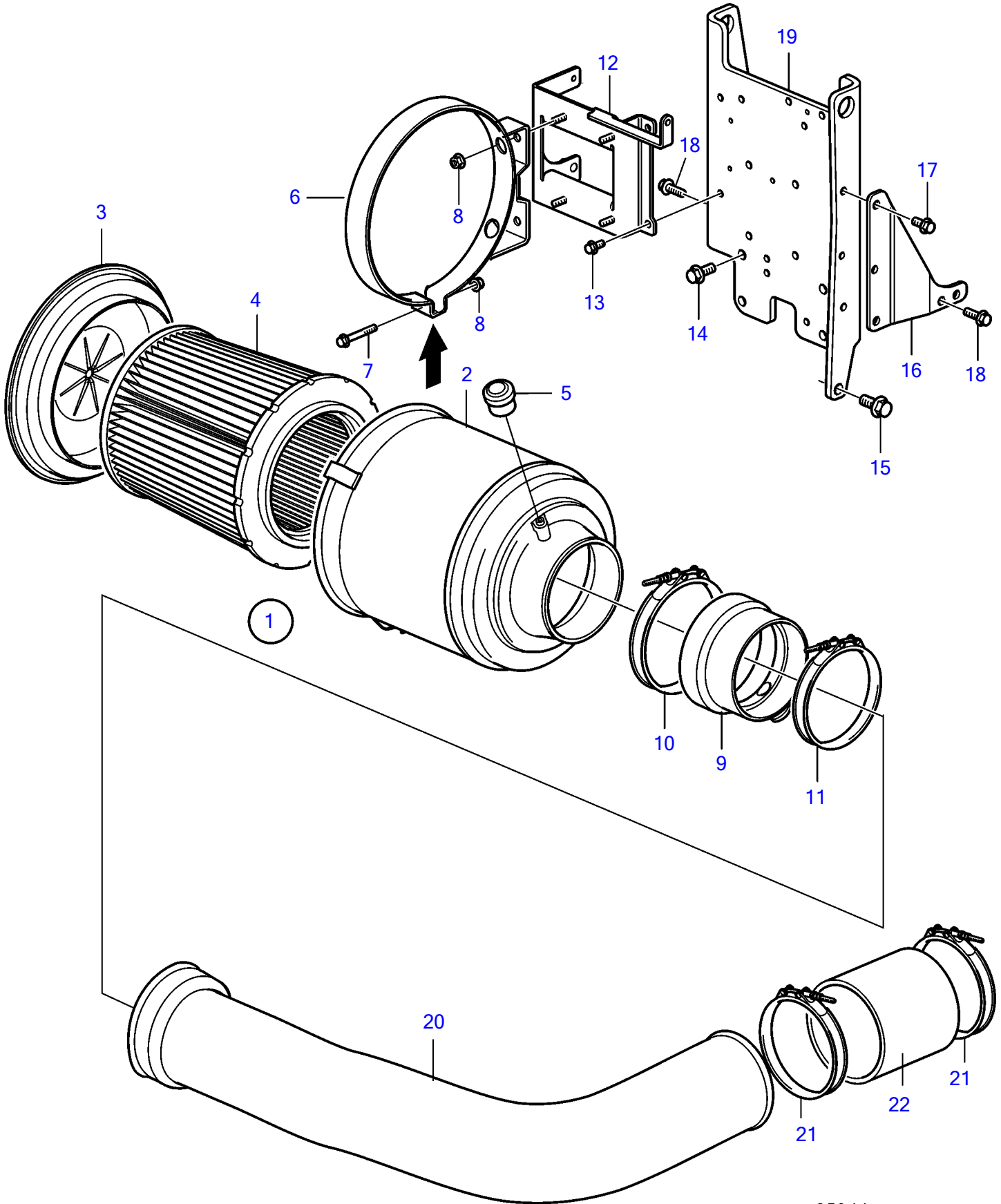


D13B-B MP, D13B-D MP



25344

## D13B-B MP, D13B-D MP

REF	PART NO.	QTY	DESCRIPTION
1	21194172	1	Air filter
2		1	• Filter housing
3		1	• Cardboard tube
4	21196919	1	• Air filter insert
5	3828765	1	• Pressure drop indica
6	21194368	1	Mounting strap
7	965216	1	Flange screw
8	945408	2	Flange nut
9	21254093	1	Rubber collar
10	1674223	1	Hose clamp
11	1544736	1	Hose clamp
12	21184837	1	Bracket
13	946440	2	Flange screw
14	965191	4	Flange screw
15	966356	1	Flange screw
16		1	Stay, bracket
17	946441	2	Flange screw
18	946472	4	Flange screw
19		1	Lift iron
20	21166628	1	Air tube
21	1544735	2	Hose clamp
22	3841259	1	Charge air hose