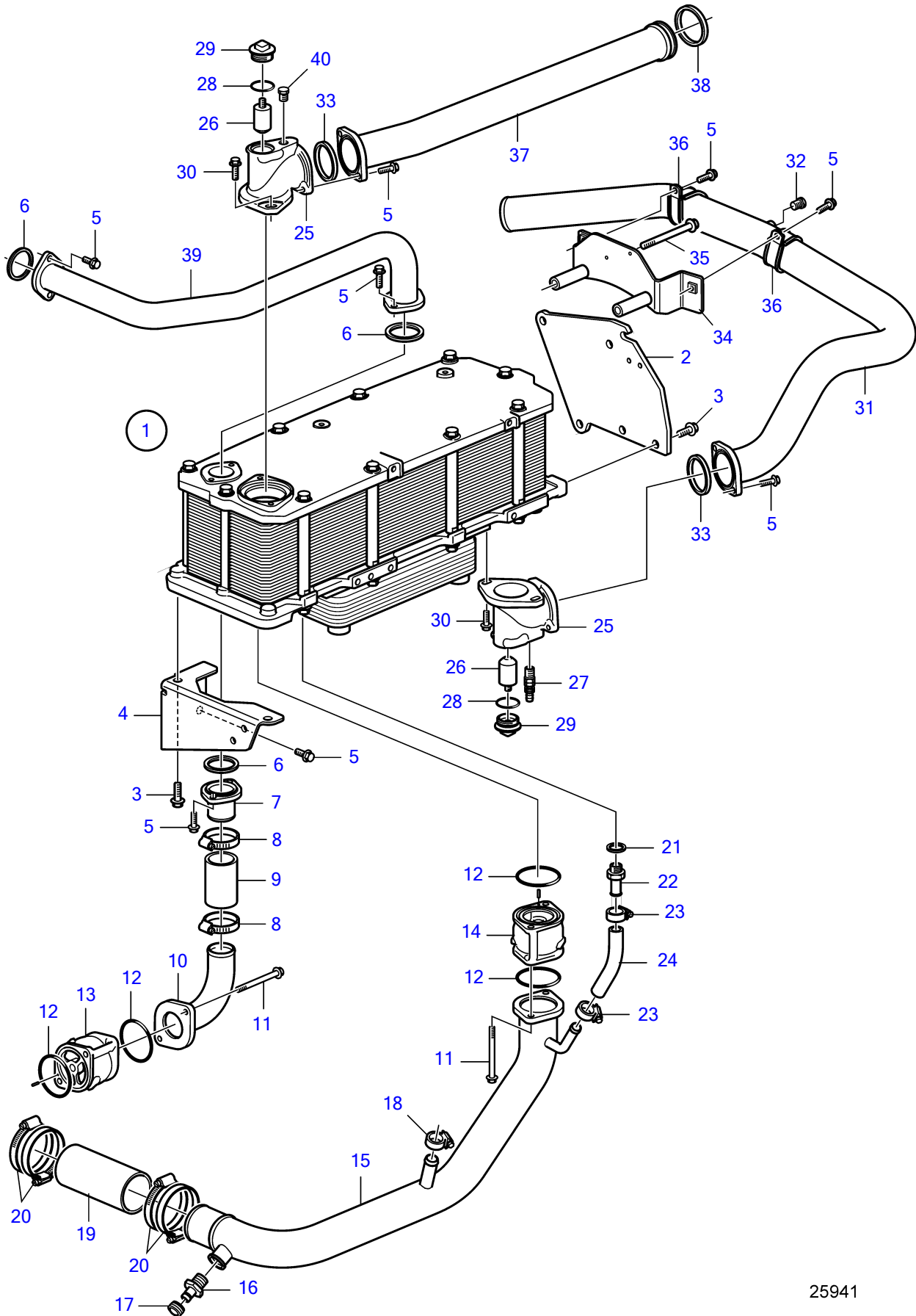


D13B-A MP, D13B-B MP, D13B-G MP, D13B-H MP



25941

D13B-A MP, D13B-B MP, D13B-G MP, D13B-H MP

REF	PART NO.	QTY	DESCRIPTION	SEE SEC.	NOTES
1	21404010	1	Heat exchanger		
			•	35773	
2	3889790	1	Bracket		
3	946329	5	Flange screw		
4		1	Bracket		
5	946173	11	Flange screw		
6	864491	3	Gasket		
7	3826300	1	Tube		
8	961670	2	Hose clamp		
9	967813	1	Rubber hose		
10	21247896	1	Water pipe		
11	965183	4	Flange screw		
12	975675	4	O-ring		
13	21331356	1	Overflow valve		
14	21331358	1	Overflow valve		
15	3889768	1	Water pipe		
16	1676622	1	Nipple		
17	476279	1	Protecting cap		
18	961666	1	Hose clamp		
19	949540	X	Hose		L=150mm
20	961673	4	Hose clamp		
21	976931	1	Gasket		
22	966863	1	Hose nipple		
23	961665	2	Hose clamp		
24	946652	X	Rubber hose		L=120mm
25	3889455	2	Pipe connection		
26	823661	2	Zinc anode		
27	949918	1	Shut-off cock		
28	925064	2	O-ring		
29	823662	2	Plug		
30	945444	4	Flange screw		
31	21360567	1	Seawater pipe		
32	982363	1	• Plug		
33	843584	2	Gasket		
34	21275337	1	Bracket		
35	969313	2	Flange screw		
36	20724640	2	Attaching clamp		
37	3889888	1	Seawater pipe		
38	863209	1	Sealing ring		
39	3889475	1	Water pipe		
40	982363	1	Plug		

7749490-26-35768

25941

Upd:2012-02-08