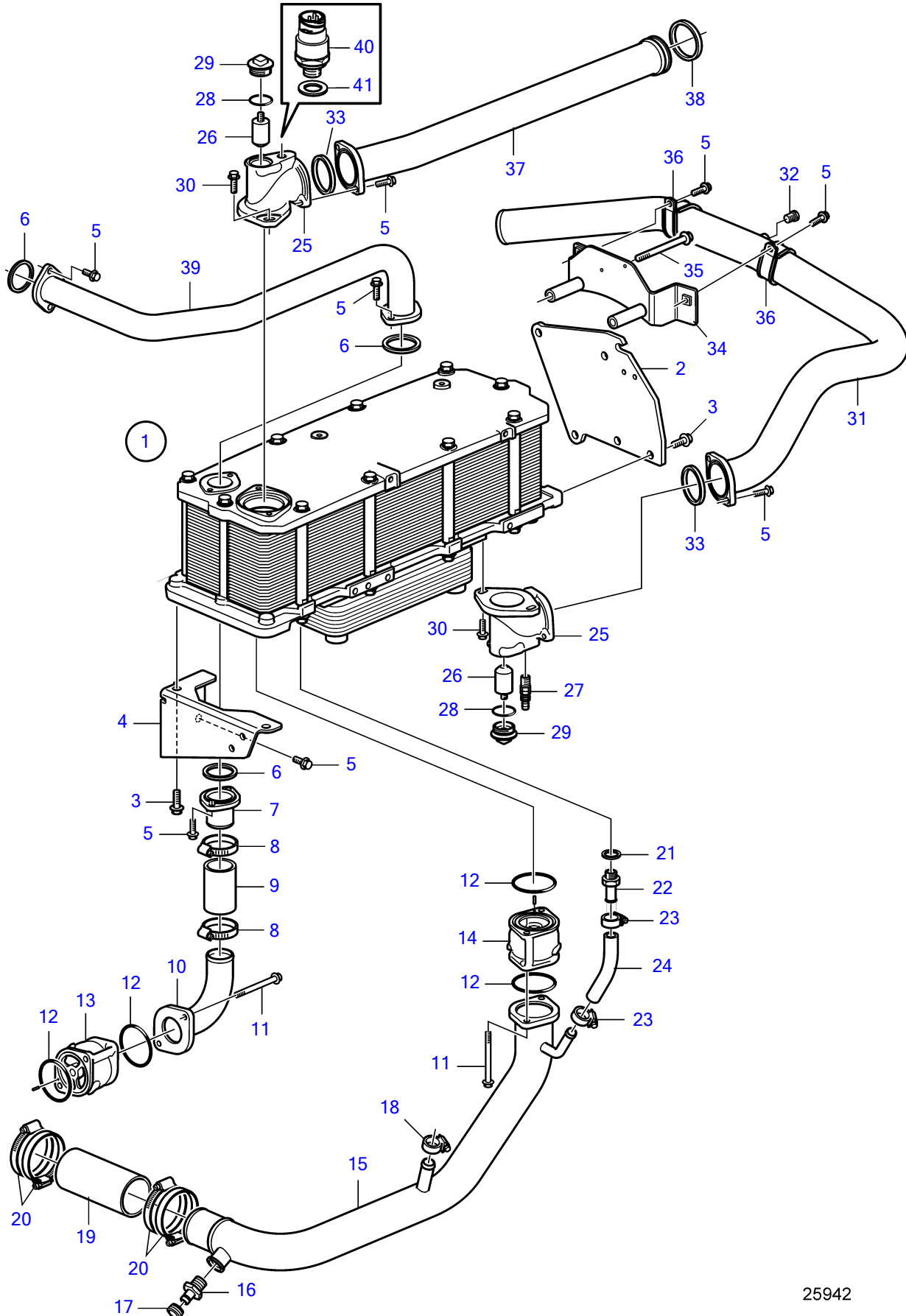


D13B-C MP, D13B-D MP



25942

D13B-C MP, D13B-D MP

| REF | PART NO. | QTY | DESCRIPTION | SEE SEC. | NOTES |
|-----|----------|-----|-----------------|----------|---------|
| 1 | 21404010 | 1 | Heat exchanger | | |
| | | | • | 35773 | |
| 2 | 3889790 | 1 | Bracket | | |
| 3 | 946329 | 5 | Flange screw | | |
| 4 | | 1 | Bracket | | |
| 5 | 946173 | 11 | Flange screw | | |
| 6 | 864491 | 3 | Gasket | | |
| 7 | 3826300 | 1 | Tube | | |
| 8 | 961670 | 2 | Hose clamp | | |
| 9 | 967813 | 1 | Rubber hose | | |
| 10 | 21247896 | 1 | Water pipe | | |
| 11 | 965183 | 4 | Flange screw | | |
| 12 | 975675 | 4 | O-ring | | |
| 13 | 21331356 | 1 | Overflow valve | | |
| 14 | 21331358 | 1 | Overflow valve | | |
| 15 | 3889768 | 1 | Water pipe | | |
| 16 | 1676622 | 1 | Nipple | | |
| 17 | 476279 | 1 | Protecting cap | | |
| 18 | 961666 | 1 | Hose clamp | | |
| 19 | 949540 | X | Hose | | L=150mm |
| 20 | 961673 | 4 | Hose clamp | | |
| 21 | 976931 | 1 | Gasket | | |
| 22 | 966863 | 1 | Hose nipple | | |
| 23 | 961665 | 2 | Hose clamp | | |
| 24 | 946652 | X | Rubber hose | | L=120mm |
| 25 | 21262909 | 2 | Pipe connection | | |
| 26 | 823661 | 2 | Zinc anode | | |
| 27 | 949918 | 1 | Shut-off cock | | |
| 28 | 925064 | 2 | O-ring | | |
| 29 | 823662 | 2 | Plug | | |
| 30 | 945444 | 4 | Flange screw | | |
| 31 | 21360567 | 1 | Seawater pipe | | |
| 32 | 982363 | 1 | • Plug | | |
| 33 | 843584 | 2 | Gasket | | |
| 34 | 21275337 | 1 | Bracket | | |
| 35 | 969313 | 2 | Flange screw | | |
| 36 | 20724640 | 2 | Attaching clamp | | |
| 37 | 3889888 | 1 | Seawater pipe | | |
| 38 | 863209 | 1 | Sealing ring | | |
| 39 | 3889475 | 1 | Water pipe | | |
| 40 | | | Pressure sensor | 36156 | |
| | | | | 36158 | |
| 41 | 968559 | 1 | O-ring | | |

7749490-26-36238

25942

Upd:2012-02-08

D13B-A MP, D13B-B MP, D13B-C MP, D13B-D MP, D13B-G MP, D13B-H MP

VOLVO
PENTA