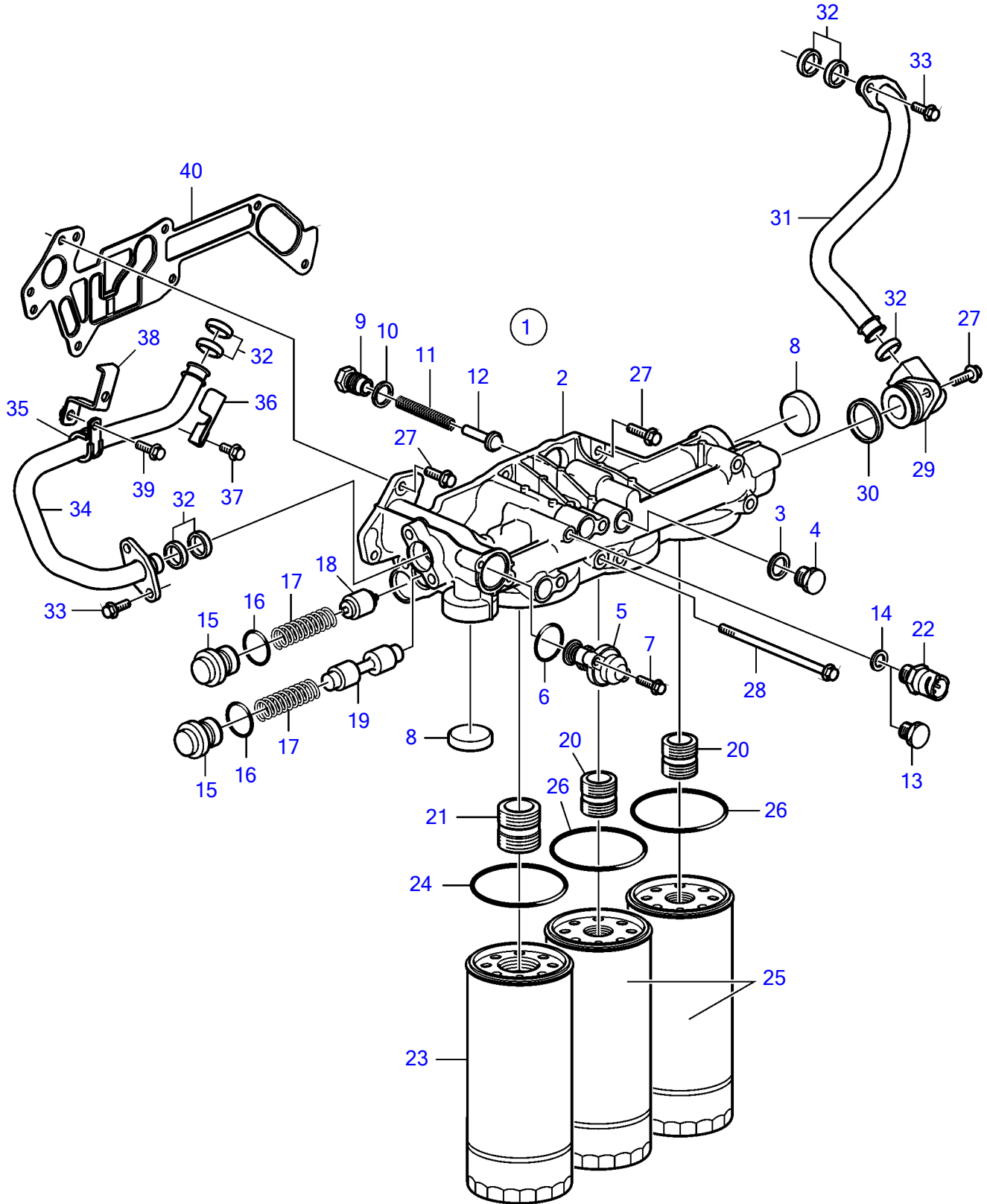


D13B-F MG



## D13B-F MG

REF	PART NO.	QTY	DESCRIPTION
1	21183257	1	Oil filter housing
2		1	• Oil filter housing
3	11998	1	• Gasket
4	960632	1	• Plug
5	20903074	1	• Thermostat
6	949659	1	• O-ring
7	947542	2	• Flange screw
8	20478143	2	• Cap plug
9	471598	1	• Plug
10	947627	1	• Gasket
11	466653	1	• Compression spring
12	471085	1	• Valve cone
13	960628	1	• Plug
14	947281	1	• Gasket
15	20580032	2	• Plug
16	977004	2	• O-ring
17	20464676	2	• Spring
18	20440779	1	• Valve cone
19	20440781	1	• Piston
20	20542060	2	• Nipple
21	20542058	1	• Nipple
22	21302639	1	Pressure sensor
23	477556	1	Oil filter, by-pass
24			• Gasket
25	478736	2	Oil filter
26			• Gasket
27	945444	8	Flange screw
28	968893	1	Flange screw
29	20741000	1	Connector
30	20555696	1	Sealing ring
31	3875266	1	Oil return pipe
32	471626	7	Sealing ring
33	949853	4	Flange screw
34	21627775	1	Pipe
35	1545432	1	Attaching clamp
36	21230284	1	Bracket
37	965181	1	Flange screw
38		1	Bracket
39	946440	1	Flange screw
40	20787167	1	Gasket