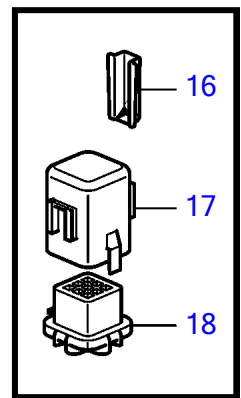
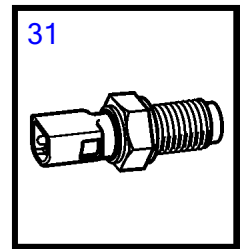
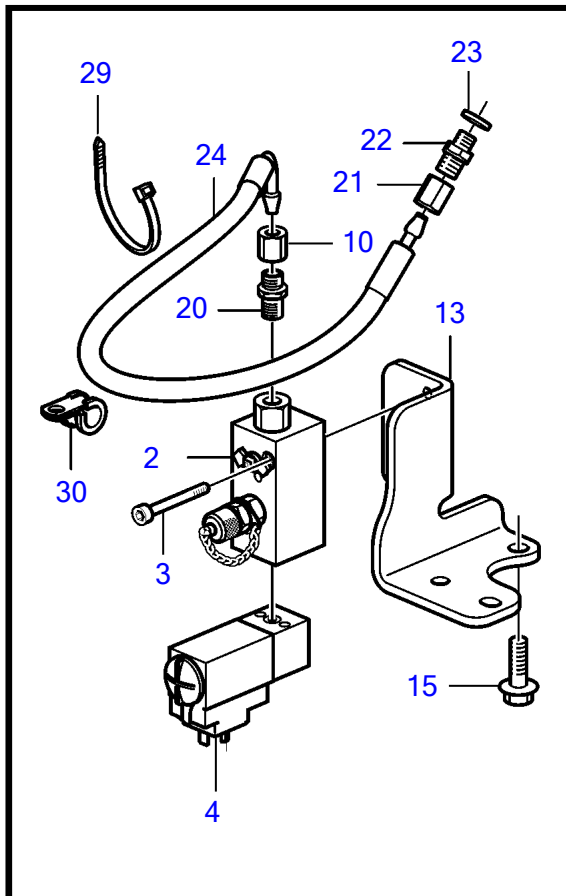
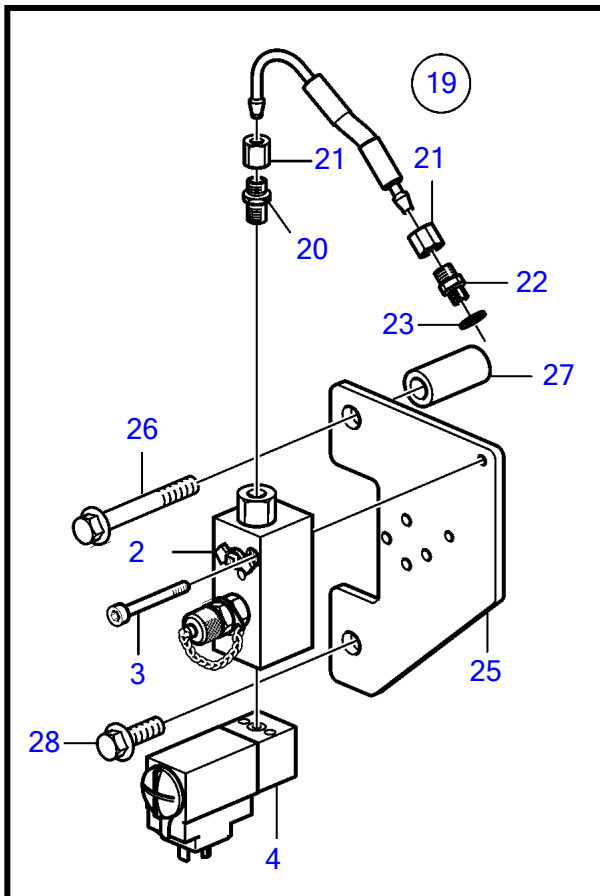
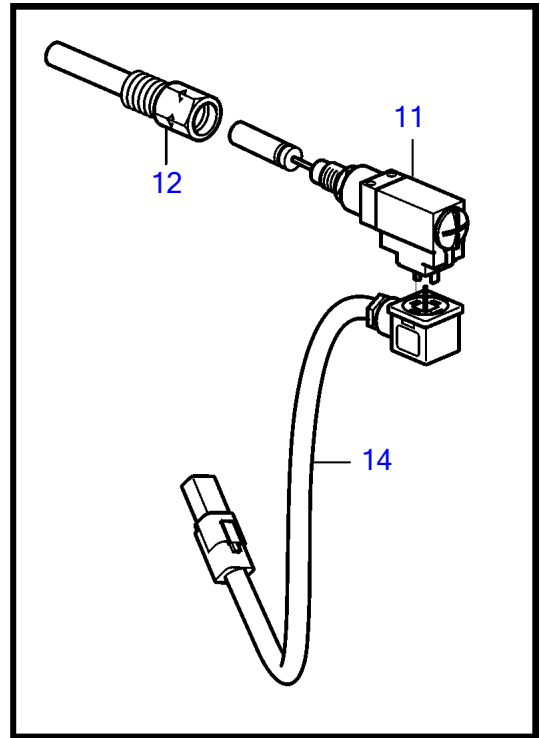
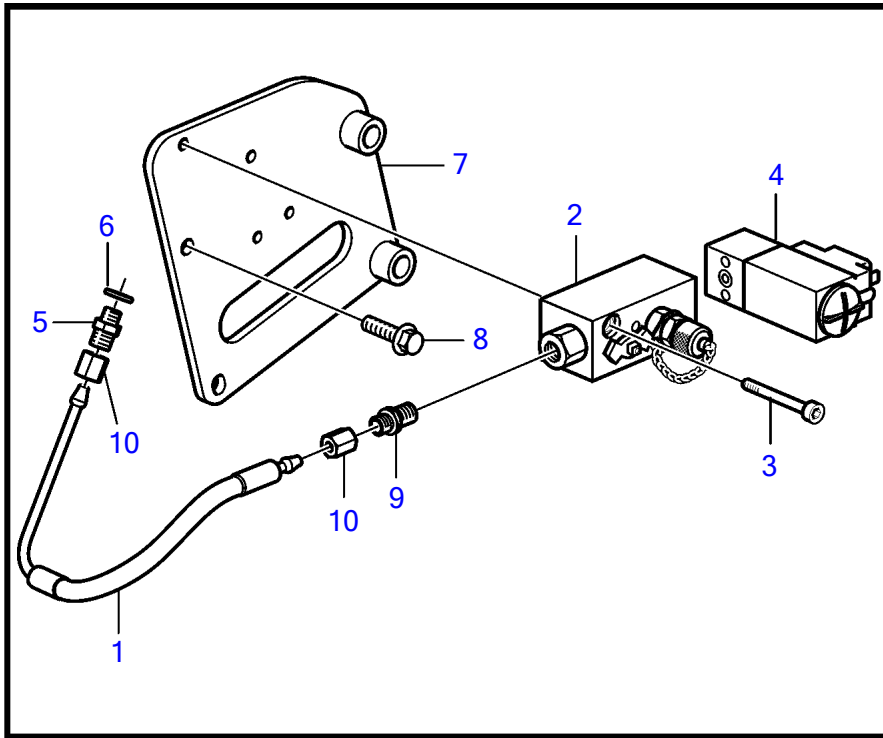


D13B-F MG



26156

D13B-F MG

REF	PART NO.	QTY	DESCRIPTION	NOTES
1	21591757	1	Pressure hose	
2	3831442	2	Block	
3	947671	2	Hex. socket screw	
4	21552234	1	Pressure monitor	
5	963947	1	Nipple	
6	11998	2	Gasket	
7	21590795	1	Bracket	RC
8	946173	2	Flange screw	
9	(942006)	1	Nipple	Obsolete part
10	956981	2	Fitting nut	
11	21294565	1	Thermo monitor	
12	873715	1	Sleeve	
13	21588609	1	Bracket	HE
14	21348838	2	Wiring harness	
15	945444	3	Flange screw	
16	21492847	1	Relay bracket	
17	21494263	1	Relay box	
18	3587172	1	Relay socket	
19	21315856	1	Pressure hose	
20	(942006)	1	• Nipple	Obsolete part
21	956981	2	• Fitting nut	
22	963947	2	• Nipple	
23	976927	1	• Gasket	
24	21590087	1	Pressure hose	
25	21255345	1	Bracket	CC, HC
26	965188	1	Flange screw	
27	849352	1	Spacer sleeve	
28	946329	1	Flange screw	
29	948211	1	Cable tie	
30	949746	1	Clamp	
31	862251	1	Tachometer sensor	