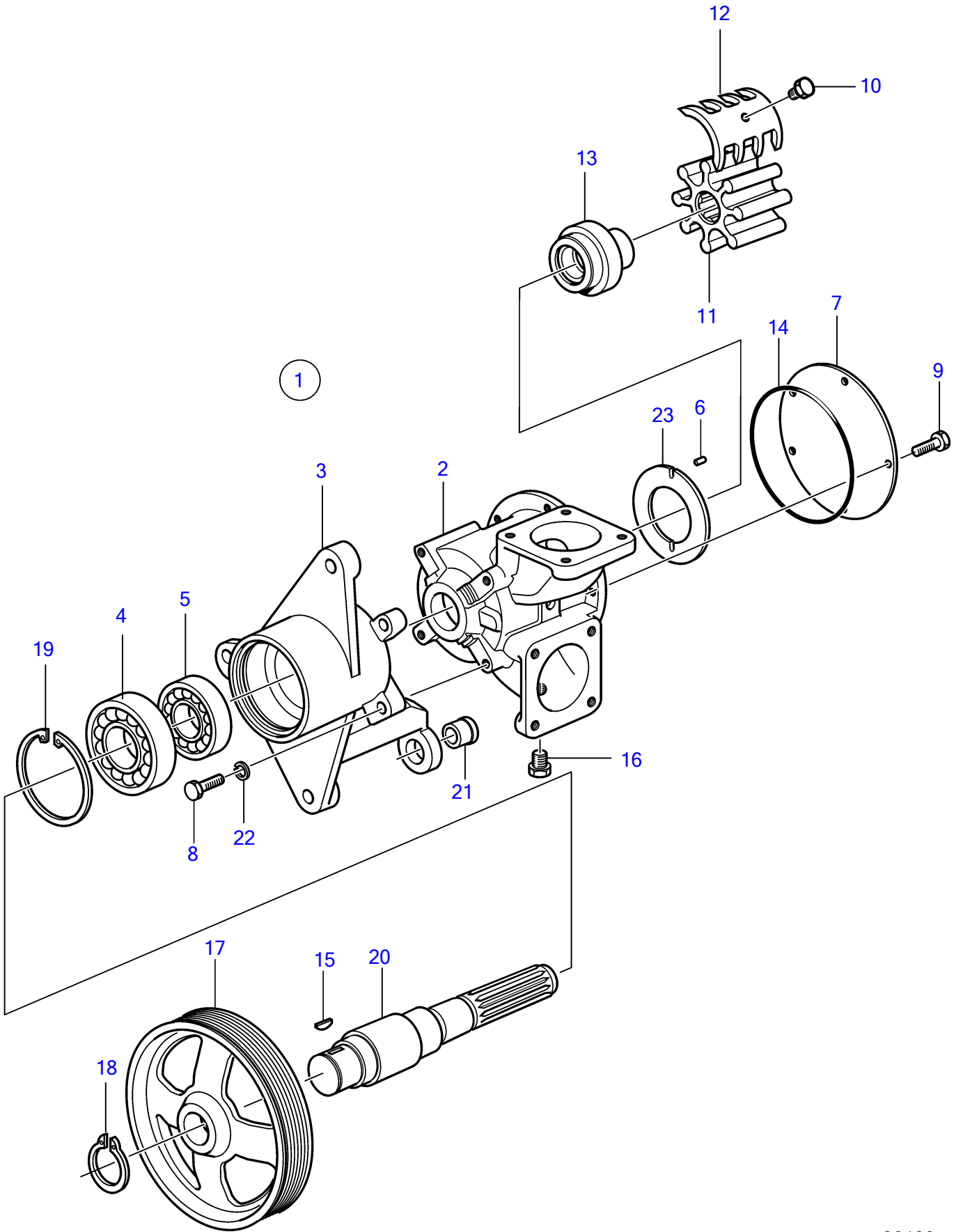


D13B-F MG



D13B-F MG

| REF | PART NO. | QTY | DESCRIPTION |
|-----|----------|-----|----------------------------|
| 1 | 21347696 | 1 | Sea water pump |
| 2 | | 1 | • Pump body |
| 3 | | 1 | • Bearing housing, bearing |
| 4 | 21578873 | 1 | • Ball bearing |
| 5 | 21578878 | 1 | • Ball bearing |
| 6 | 3817937 | 1 | • Pivot pin |
| 7 | 21542234 | 1 | • End cover |
| 8 | 940135 | 4 | • Hexagon screw |
| 9 | 3583605 | 5 | • Hexagon screw |
| 10 | 21165582 | 1 | • Adjusting screw |
| 11 | | 1 | • Impeller |
| 12 | 21165572 | 1 | • Cam |
| 13 | 3829315 | 1 | • Sealing ring |
| 14 | 925259 | 1 | • O-ring |
| 15 | 21631051 | 1 | • Key |
| 16 | 981749 | 1 | • Plug |
| 17 | 21579159 | 1 | • Pulley |
| 18 | 21579162 | 1 | • Snap ring |
| 19 | 21579167 | 1 | • Snap ring |
| 20 | 21640396 | 1 | • Pump shaft |
| 21 | 21579170 | 1 | • Spacer sleeve |
| 22 | 941907 | 4 | • Spring washer, impeller |
| 23 | 826230 | 1 | • Wear washer |