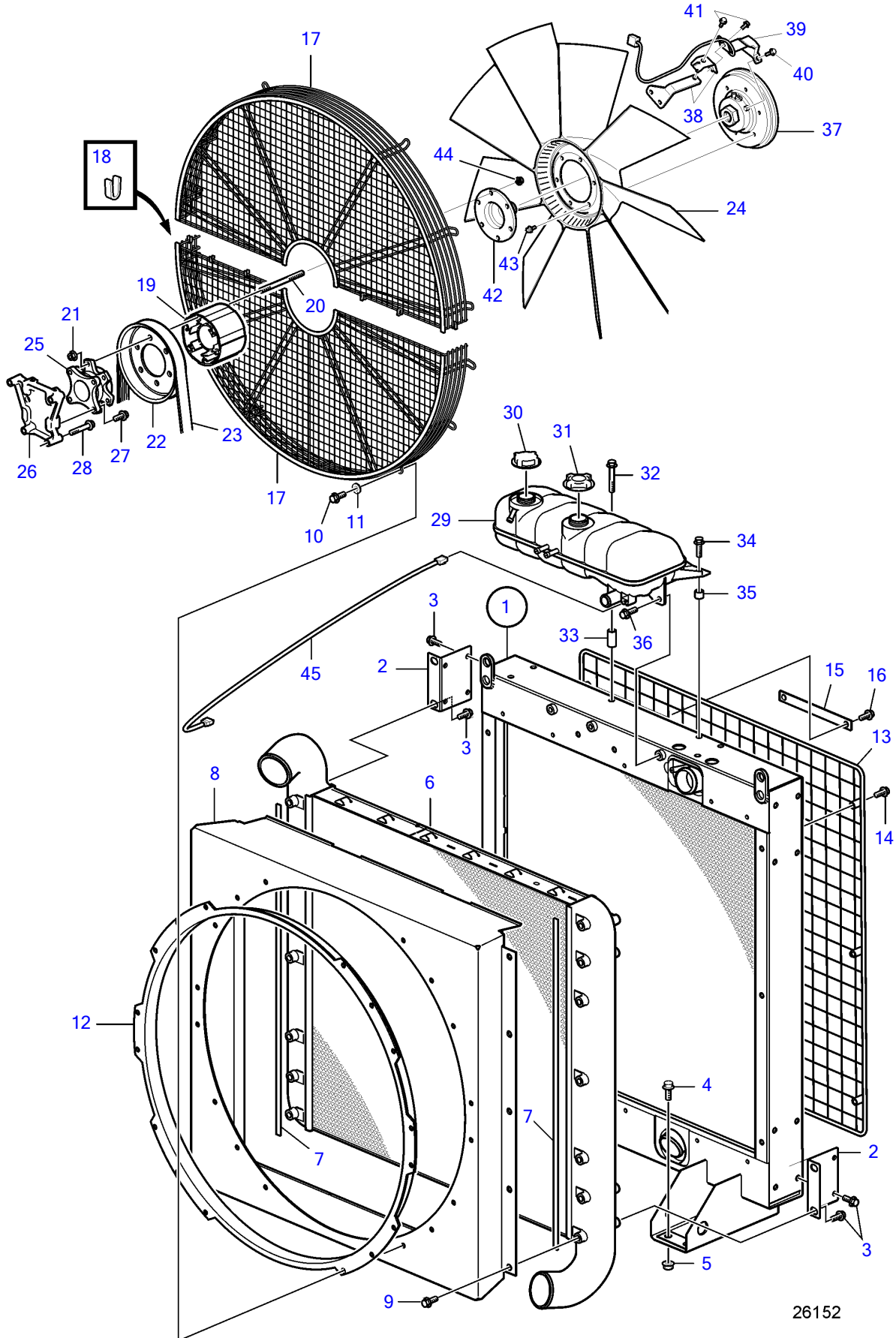


D13B-F MG



26152

D13B-F MG

| REF | PART NO. | QTY | DESCRIPTION | NOTES |
|-----|----------|-----|---------------------|--|
| 1 | 21146121 | 1 | Radiator | |
| 2 | 40005104 | 4 | Bracket | |
| 3 | | 12 | Screw | |
| 4 | 946817 | 8 | Flange screw | |
| 5 | 971096 | 8 | Flange nut | |
| 6 | 40005102 | 1 | Intercooler | |
| 7 | | 2 | Seal | |
| 8 | 40005100 | 1 | Fan shroud | |
| 9 | 946440 | 16 | Flange screw | |
| 10 | 946173 | 12 | Flange screw | |
| 11 | 976944 | 12 | Washer | |
| 12 | 3827612 | 1 | Fan ring | |
| 13 | 3827871 | 1 | Radiator protector | |
| 14 | 948217 | 6 | Flange screw | |
| 15 | 846118 | 1 | Emblem | |
| 16 | 941651 | 2 | Cross recessed sunk | |
| 17 | 3812223 | 2 | Fan guard | Not for Visco fan |
| | 21316435 | 2 | Fan guard | For Visco fan and all other fans |
| 18 | | 6 | • Clamp | |
| 19 | 3595252 | 1 | Fan hub | |
| 20 | 969199 | 6 | Stud | |
| 21 | 971095 | 12 | Flange nut | |
| 22 | 3828043 | 1 | Pulley | D=267mm, Ratio 0.84:1 |
| | 3829958 | 1 | Pulley | D=227mm, Ratio 0.99:1 |
| | 3807446 | 1 | Pulley | D=212mm, Ratio 1.07:1 |
| 23 | 3594804 | 1 | Fan belt | For pulley 3828043 |
| | 3886349 | 1 | Fan belt | For pulley 3829958 |
| | 3595371 | 1 | Fan belt | For pulley 3807446 |
| | 20430611 | 1 | V-ribbed belt | For engines equipped with an air compressor. |
| 24 | 3595217 | 1 | Fan | |
| 25 | 21536967 | 1 | Fan hub | |
| 26 | 3886350 | 3 | Bracket | |
| 27 | 946752 | 4 | Flange screw | |
| 28 | 965187 | 4 | Flange screw | |
| 29 | 1674916 | 1 | Expansion tank | |
| 30 | 1674083 | 1 | Pressure cap | |
| 31 | 1674922 | 1 | Filler cap | |
| 32 | 947790 | 1 | Flange screw | |
| 33 | 3830771 | 1 | Spacer sleeve | |
| 34 | 965220 | 1 | Flange screw | |
| 35 | 843028 | 1 | Spacer sleeve | |
| 36 | 946471 | 3 | Flange screw | |
| 37 | 21486690 | 1 | Clutch | |
| 38 | 21188949 | 1 | Bracket | |
| 39 | 21315240 | 1 | Sensor | |
| 40 | 21318856 | 2 | Six point screw | |
| 41 | 946440 | 2 | Flange screw | |
| 42 | 21305942 | 1 | Adapter | |
| 43 | 21318856 | 6 | Six point screw | |
| 44 | 971095 | 6 | Flange nut | |
| 45 | 3594069 | 1 | Wiring harness | |