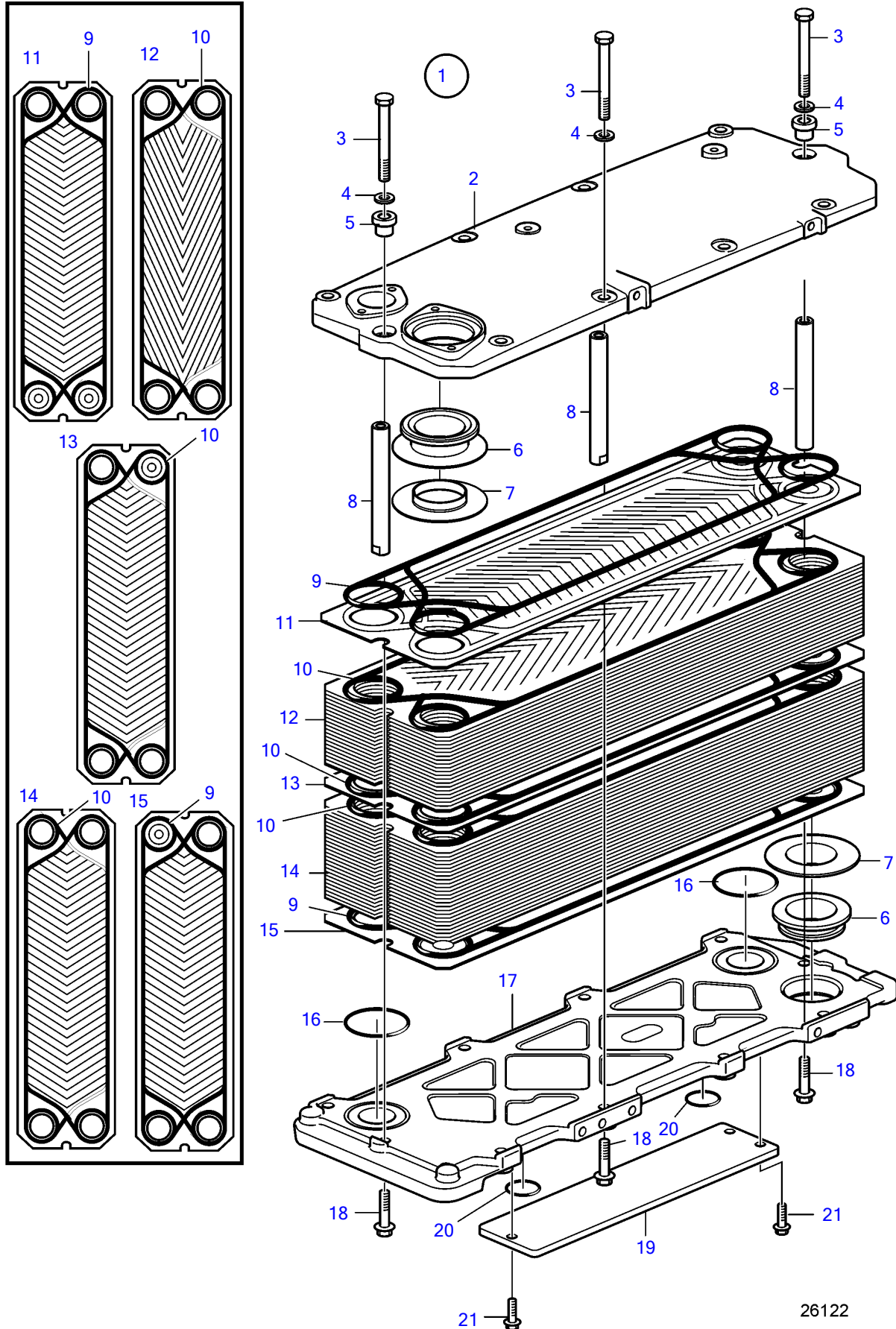


D13B-F MG



26122

D13B-F MG

REF	PART NO.	QTY	DESCRIPTION	NOTES
1	21404010	1	Heat exchanger	Replaced by 21346489
	21346489	1	Heat exchanger	
2	21111056	1	• Top plate	
3	970959	10	• Hexagon screw	
4	190523	10	• Washer	
5	21111110	2	• Spacer tube	
6	21111123	2	• Liner	
7	21111128	2	• Collar	
8	21111099	10	• Spacer tube	
9	21242901	2	• Gasket, Top & Bottom	
10	21242902	44	• Gasket	
11	21111094	1	• Cooling plate, Top	
12	21242897	17	• Cooling plate	
13	21242898	1	• Cooling plate, middle	
14	21242895	25	• Cooling plate	
15	21242894	1	• Cooling plate, bottom	
16	925255	2	• O-ring	H=3mm, old version
	994661	2	• O-ring	H=5mm, new version
17	21111085	1	• Bottom plate	Replaced by one 21446285 and two 994661
	21446285	1	• Bottom plate	
18	965185	10	• Flange screw	
19	21611344	1	Cover	
20	925064	2	O-ring	
21	945444	3	Flange screw	