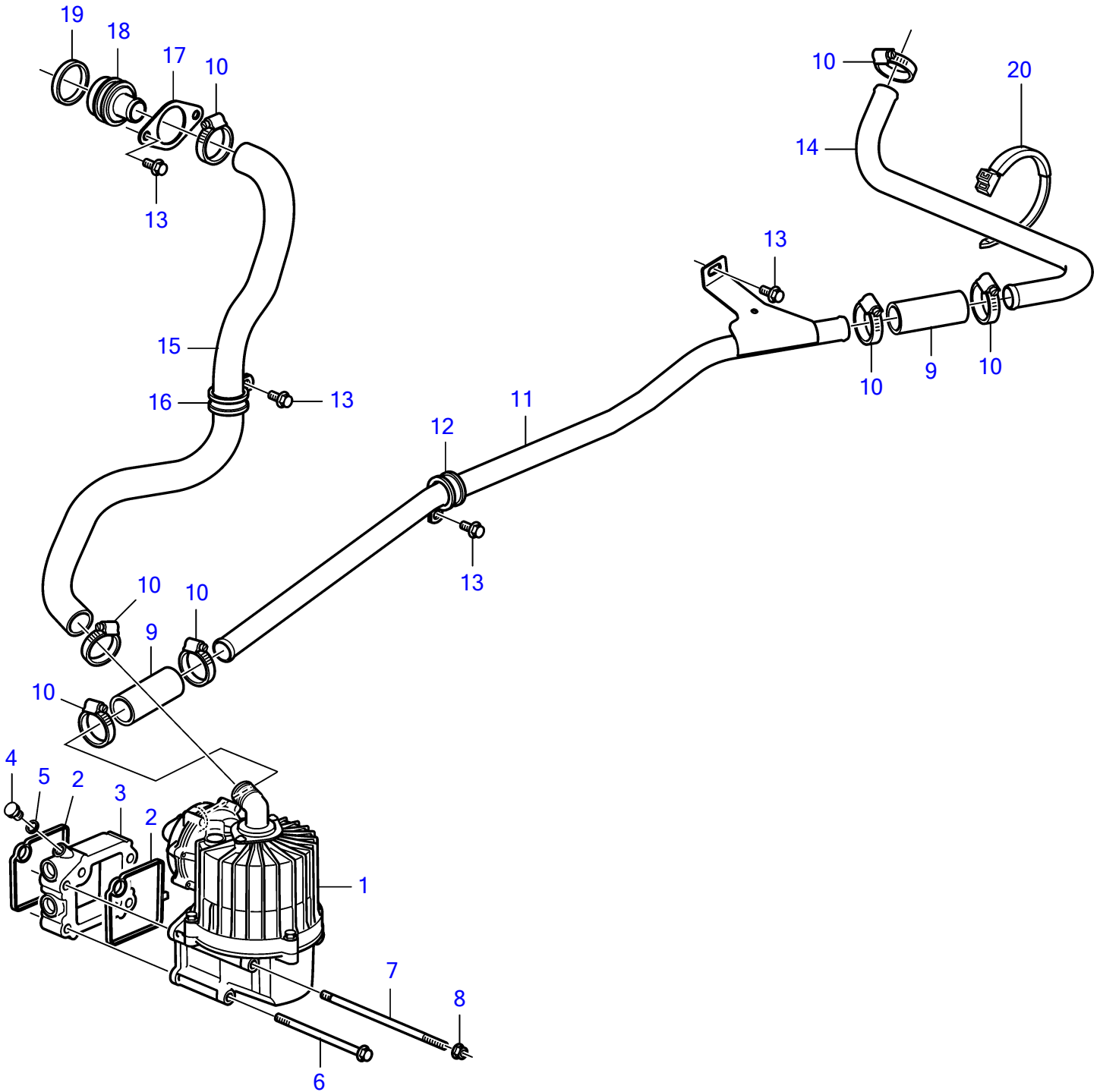


D13B-E MH



24864

D13B-E MH

REF	PART NO.	QTY	DESCRIPTION	NOTES
1	21241130	1	Separator	Replaced by 21122541
	21122541	1	Oil separator	
2	20532891	2	Gasket	
3	3889722	1	Spacer	
4	960628	1	Plug	
5	947281	1	Gasket	
6	968999	2	Flange screw	
7	981440	2	Stud	
8	945408	2	Flange nut	
9	20580933	2	Hose	
10	853548	7	Hose clamp	
11	21241114	1	Pipe	
12	947827	1	Clamp	
13	946440	5	Flange screw	
14	21231192	1	Pipe	
15	21274017	1	Hose	
16	949997	1	Clamp	
17	3849250	1	Flange	
18	21274024	1	Adapter	
19	20493974	1	Sealing ring	
20	1075407	1	Cable tie	