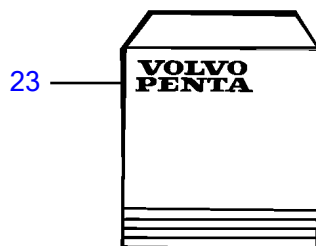
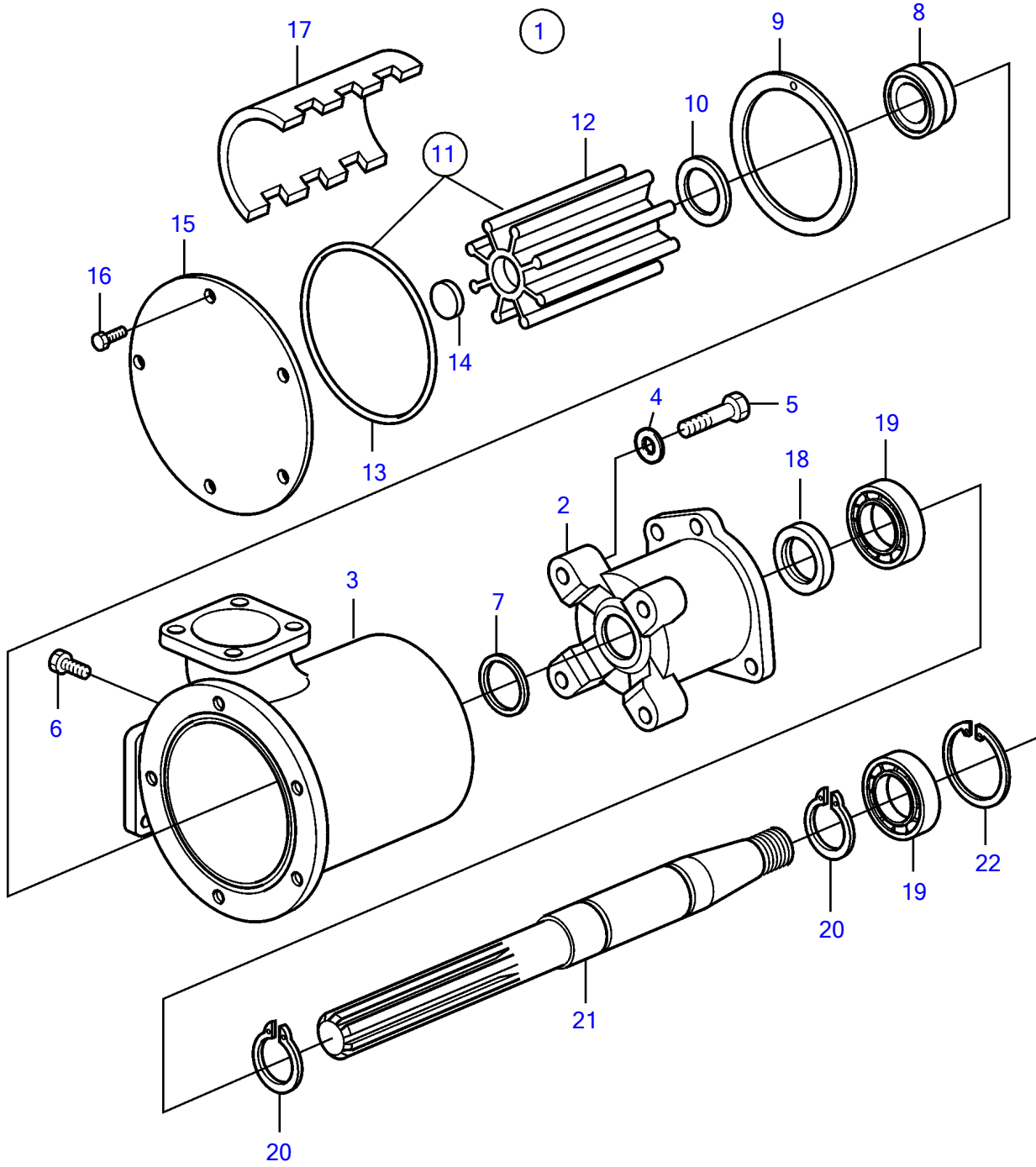


D13B-E MH



D13B-E MH

REF	PART NO.	QTY	DESCRIPTION	NOTES
1	3838207	1	Sea water pump	(865295)
2		1	• Bearing housing	
3	(3830752)	1	• Pump housing	Obsolete part
4	941909	4	• Spring washer	
5	940159	4	• Hexagon screw	
6	3830665	1	• Hexagon screw	
7	812964	1	• Deflector ring	Included in spare parts kit no 3830993.
8	3829315	1	• Sealing ring	Included in spare parts kit no 3830993.
9	826230	1	• Wear washer	Included in spare parts kit no 3830993.
10	3829449	1	• Washer	
11	3830459	1	• Repair kit	
12		1	• • Impeller	Use impeller kit 3830459
13	3830664	1	• • O-ring	
14	812966	1	• • Spline seal	
15	3830662	1	• Cardboard tube	
16	963554	5	• Hexagon screw	Included in spare parts kit no 3830993.
17	3830661	1	• Cam	
18	845795	1	• Sealing ring	Included in spare parts kit no 3830993.
19	11013	2	• Ball bearing	Included in spare parts kit no 3830993.
20	847230	2	• Lock ring	Included in spare parts kit no 3830993.
21	3838208	1	• Shaft	
22	825735	1	• Lock ring	Included in spare parts kit no 3830993.
23	3830993	1	Repair kit	