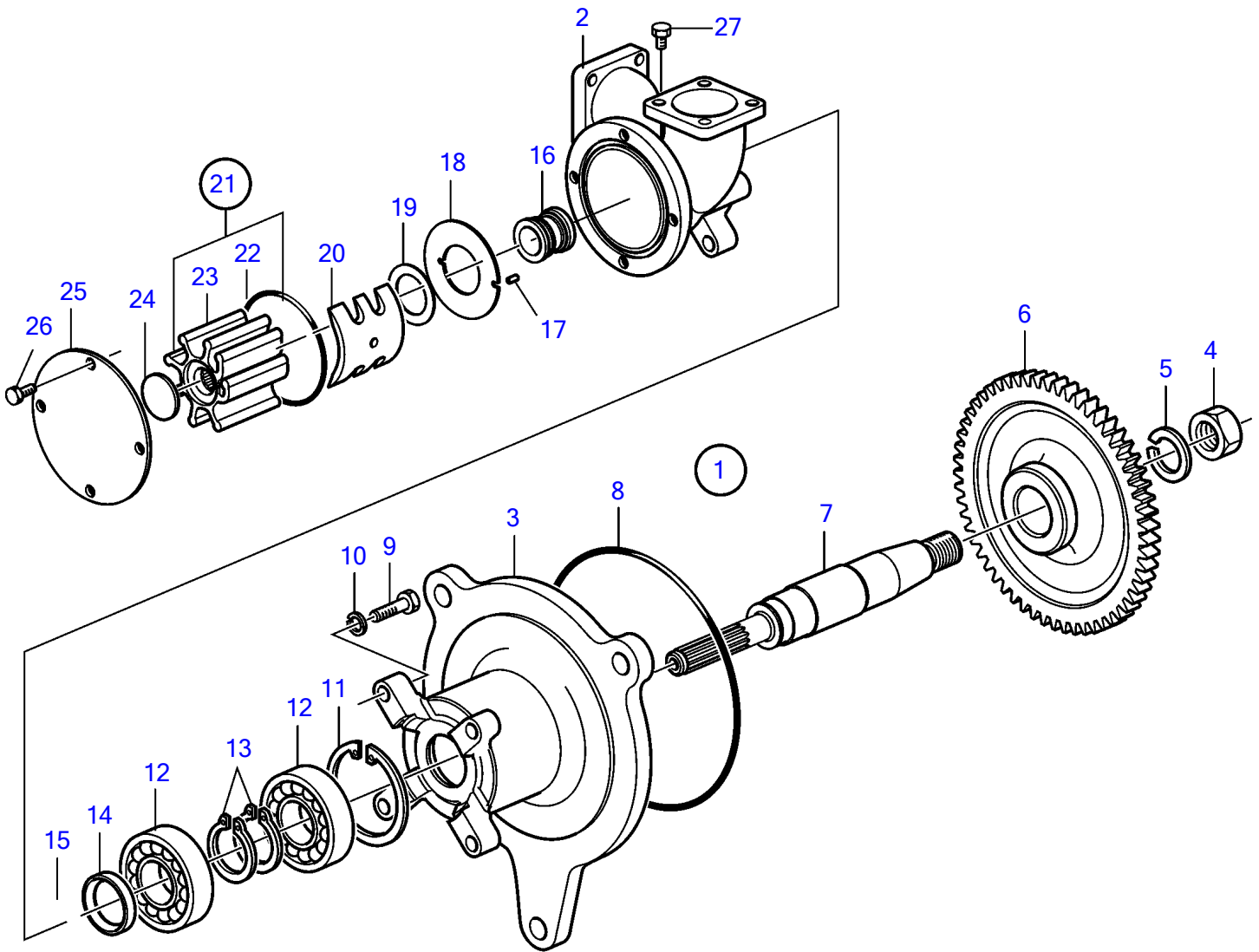


D13B-E MH



24912

D13B-E MH

REF	PART NO.	QTY	DESCRIPTION
1	3886848	1	Sea water pump
2		1	Housing
3		1	Bearing housing, bearing
4	3587886	1	Hexagon nut
5	941914	1	Spring washer
6	8131848	1	Gear
7	21165584	1	Shaft
8	992065	1	O-ring
9	940135	4	Hexagon screw
10	941907	4	Spring washer
11	825735	1	Lock ring
12	11013	2	Ball bearing
13	847230	2	Lock ring
14	3587882	1	Sealing
15	812964	1	Deflector ring
16	3829315	1	Sealing ring
17	3817937	1	Pivot pin
18	826230	1	Wear washer
19	3829449	1	Washer
20	3830661	1	Cam
21	3830459	1	Repair kit, impeller
22	3830664	1	• O-ring
23		1	• Impeller
24	812966	1	• Spline seal
25	21166304	1	End cover
26	3583605	5	Hexagon screw
27	3830665	1	Hexagon screw