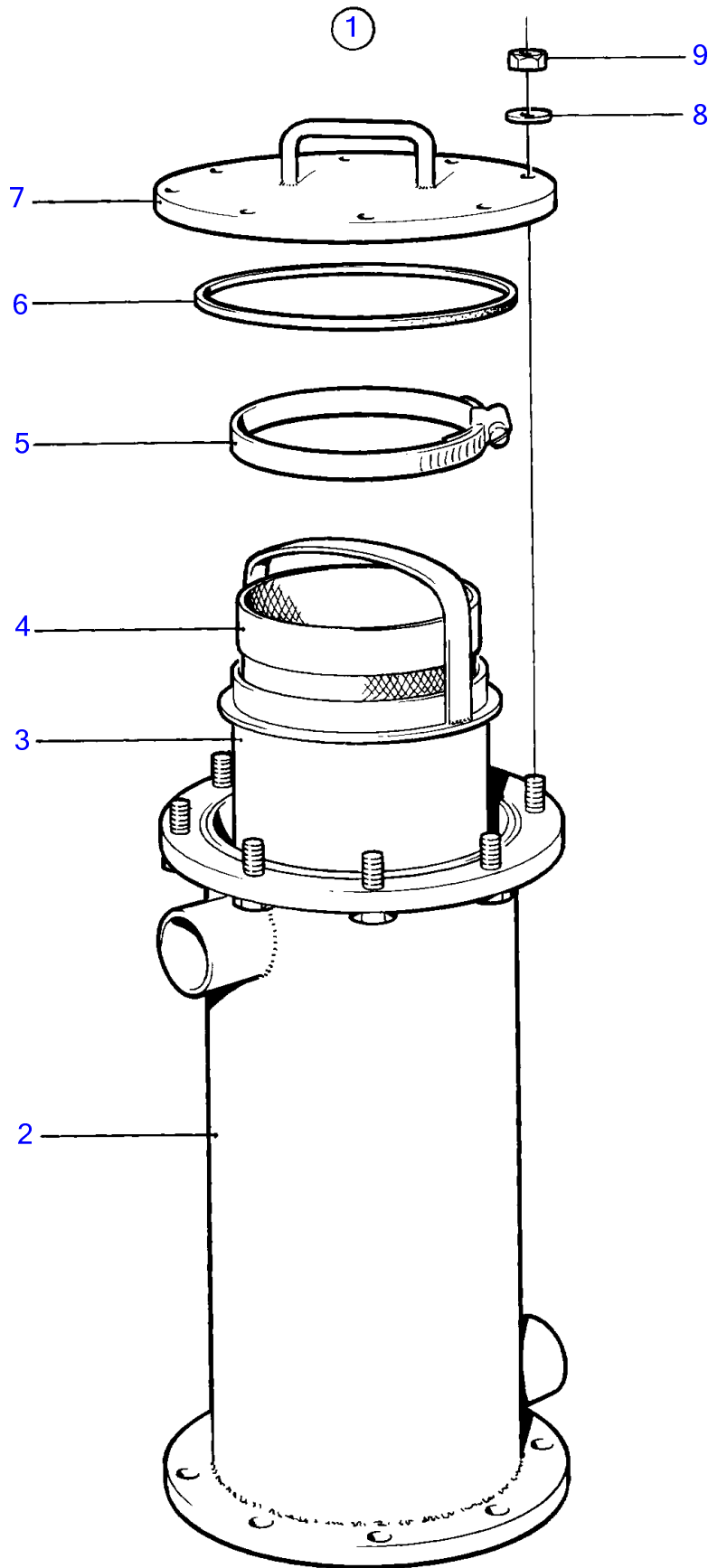


D13B-E MH



5552

D13B-E MH

REF	PART NO.	QTY	DESCRIPTION	NOTES
1	843957	1	Sea water filter	
2	(843958)	1	• Filter housing	Obsolete part
3	(843959)	1	• Filter basket	Obsolete part
4	843971	1	• Filter bag	
5	949000	1	• Hose clamp	
6	925287	1	• O-ring	
7	(843960)	1	• Cover	Obsolete part
8	955900	8	• Washer	
9	955785	8	• Hexagon nut	