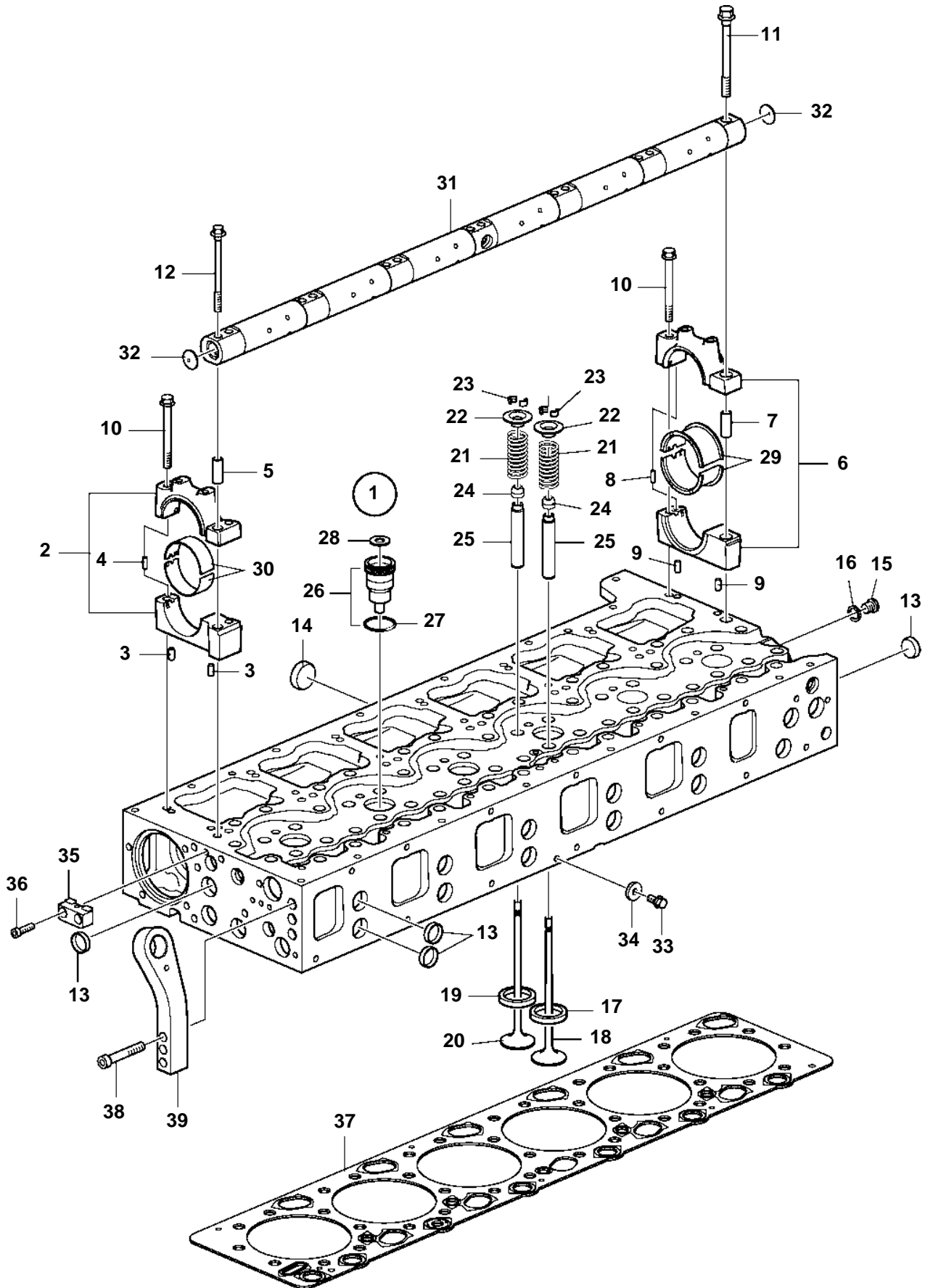


D13B-A MP



D13B-A MP

REF	PART NO.	QTY	DESCRIPTION	NOTES
1	3801375	1	Cylinder head, exch	
2		6	· Bearing housing, front	Bearing Housing 1-6
3	950562	2	· · Pin	
4	950542	1	· · Pin	
5		1	· · Sleeve	
6		1	· Bearing housing, rear	
7		1	· · Sleeve	
8	950542	1	· · Pin	
9	950562	2	· · Pin	
10	975105	7	· Flange screw	M10x100mm
11	20412482	1	· Flange screw	M14x100mm
12	20537512	12	· Flange screw	M10x120mm
13	24426721	20	· Cap plug	D=20mm
14	24426722	5	· Cap plug	D=40mm
15	966143	1	· Plug	
16	11996	1	· Gasket	
17	20530103	12	· Valve seat, exhaust	Replaced by valve seat 20541405
	20541405	12	· Valve seat	
18	20768519	12	· Exhaust valve	
19	20740804	12	· Valve seat, intake	
20	20740798	12	· Inlet valve	
21	21310068	24	· Valve spring	
22	20510743	24	· Valve spring washer	
23	20510747	48	· Valve cotter	
24	20864662	12	· Valve seal	
25	20904074	24	· Valve guide	
26	21274700	6	· Injector sleeve	
27	20536487	1	· · O-ring	
28	21261987	1	· · Washer	
29	20756108	1	Camshaft bearing kit	
30	20999623	6	Bearing shell kit	
31	20510623	1	Rocker arm shaft	
32	955096	2	· Expansion plug	
33	944926	1	Flange screw	
34	945583	1	Washer	
35		1	Bracket	
36	959220	2	Hex. socket screw	
37	20513037	1	Cylinder head gasket	
38		3	Allen head screw	
39		1	Lifting eye	