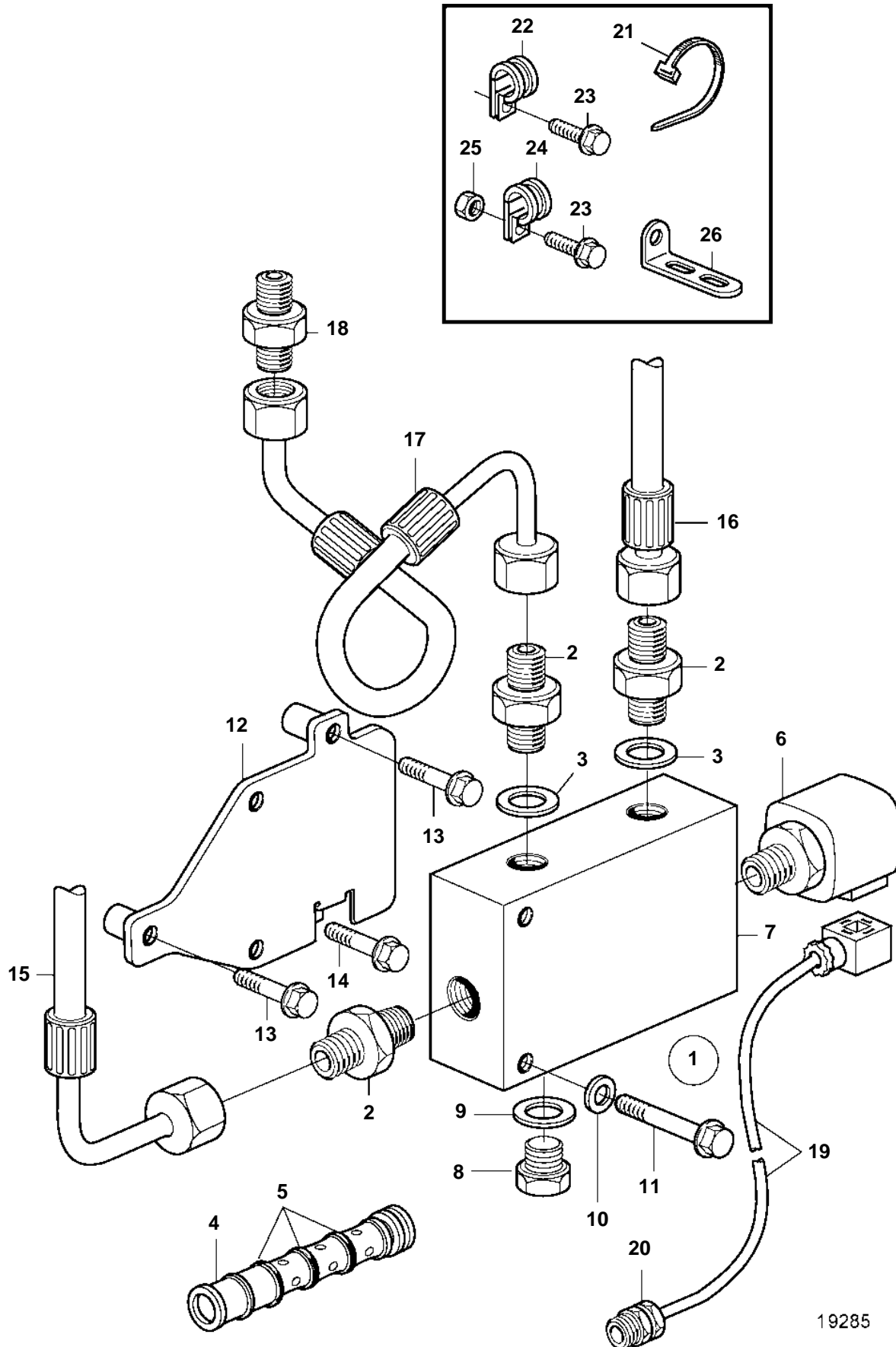


D12D-A MH, D12D-B MH, D12D-C MH, D12D-E MH, D12D-G MH, D12D-C MP



19285

D12D-A MH, D12D-B MH, D12D-C MH, D12D-E MH, D12D-G MH, D12D-C MP

REF	PART NO.	QTY	DESCRIPTION	NOTES
1	3835754	1	Fuel valve	
2	983388	3	· Nipple	
3	947629	3	· Gasket	
4	3835759	1	· Valve	REPL BY 3835754
5	3835803	1	· Gasket kit	
6	3835762	1	· Magnet	
7		1	· Manifold	
8	963799	1	Reduction nipple	
9	190957	1	Gasket	
10	976944	2	Washer	
11	965181	2	Flange screw	
12	3835312	1	Bracket	
13	973924	2	Flange screw	
14	946440	1	Flange screw	
15	3835321	1	Hose	
16	3835318	1	Hose	
17	3835319	1	Hose	
18	977677	1	Nipple	
19	874511	1	Cable kit	L=3.0m
	874934	1	Cable kit	L=13.0' (4.0m)
20	881191	1	Cable union	
21	1075407	2	Cable tie	
	948211	X	Cable tie	
22	942542	2	Clamp	I.D=7,9mm
23	946440	3	Flange screw	
24	949747	3	Clamp	I.D=15,9mm
25	945408	2	Flange nut	
26	965556	1	Bracket	