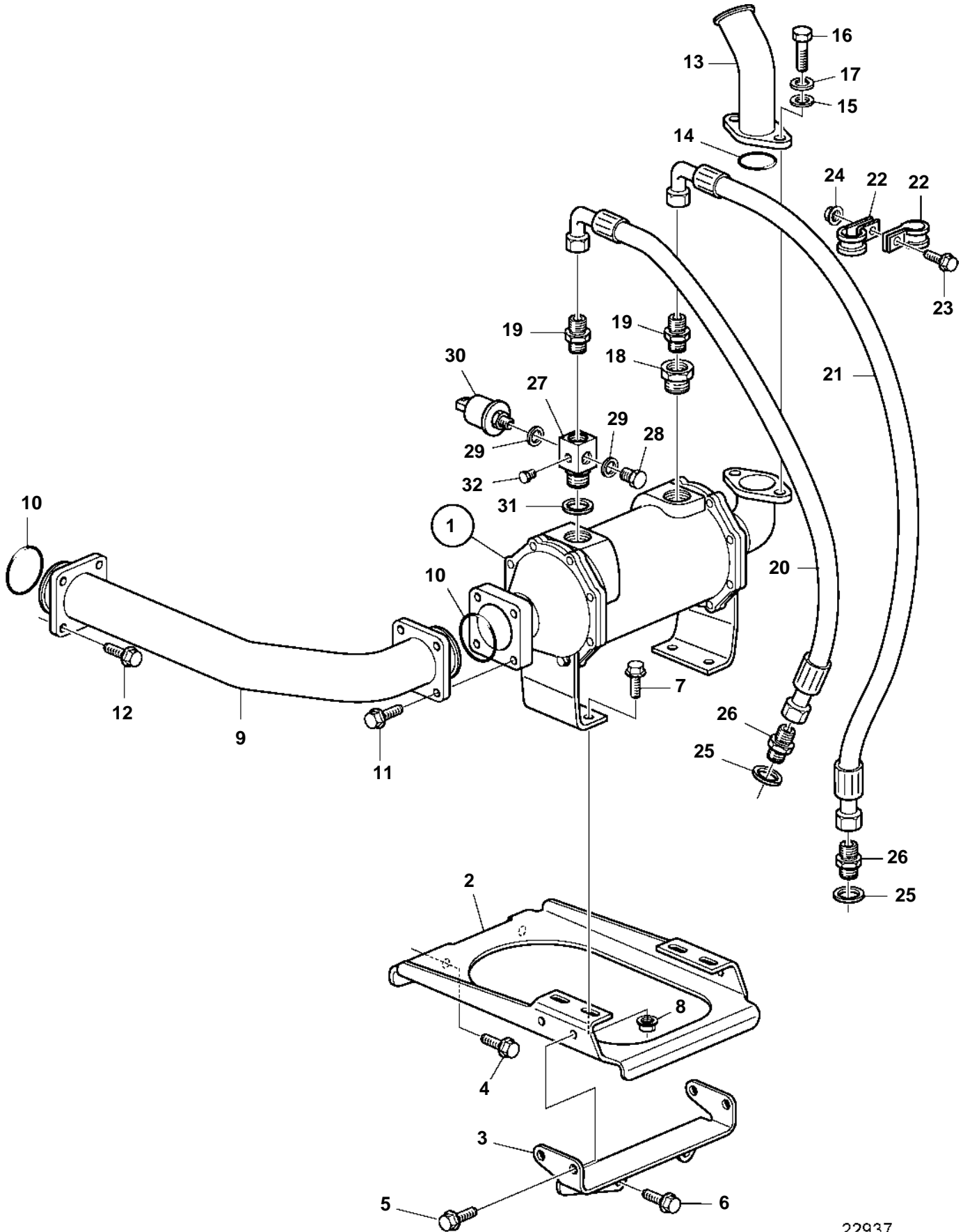


D12C-A MP, D12D-A MP



## D12C-A MP, D12D-A MP

REF	PART NO.	QTY	DESCRIPTION	SEE SEC.	NOTES
1		1	Oil cooler		
				4377	
2	3830510	1	Bracket		
3	3819602	1	Bracket		
4	965185	2	Flange screw		
5	946173	4	Flange screw		
6	946752	2	Flange screw		
7	946173	4	Flange screw		
8	945408	4	Flange nut		
9	3826637	1	Water pipe		
10	843584	2	Gasket		
11	946173	4	Flange screw		
12	946173	4	Flange screw		
	947760	4	Flange screw		For engines in with keel cooling.
13	3828777	1	Tube		
14	925092	1	O-ring		
15	191172	2	Washer		
16	940135	2	Hexagon screw		
17	941907	2	Spring washer		
18	949707	1	Reduction nipple		
19	981303	2	Nipple		
20	3828375	1	Oil hose		
21	3828375	1	Oil hose		
22	945081	2	Clamp		
23	946173	1	Flange screw		
24	945408	1	Flange nut		
25	976932	2	Gasket		
26	941751	2	Nipple		
27	3826965	1	X-nipple		
28	960632	1	Plug		
29	976931	2	Gasket		
30	874313	1	Sensor		SEE GROUP 30
31	948885	1	Gasket		
32		2	Plug		