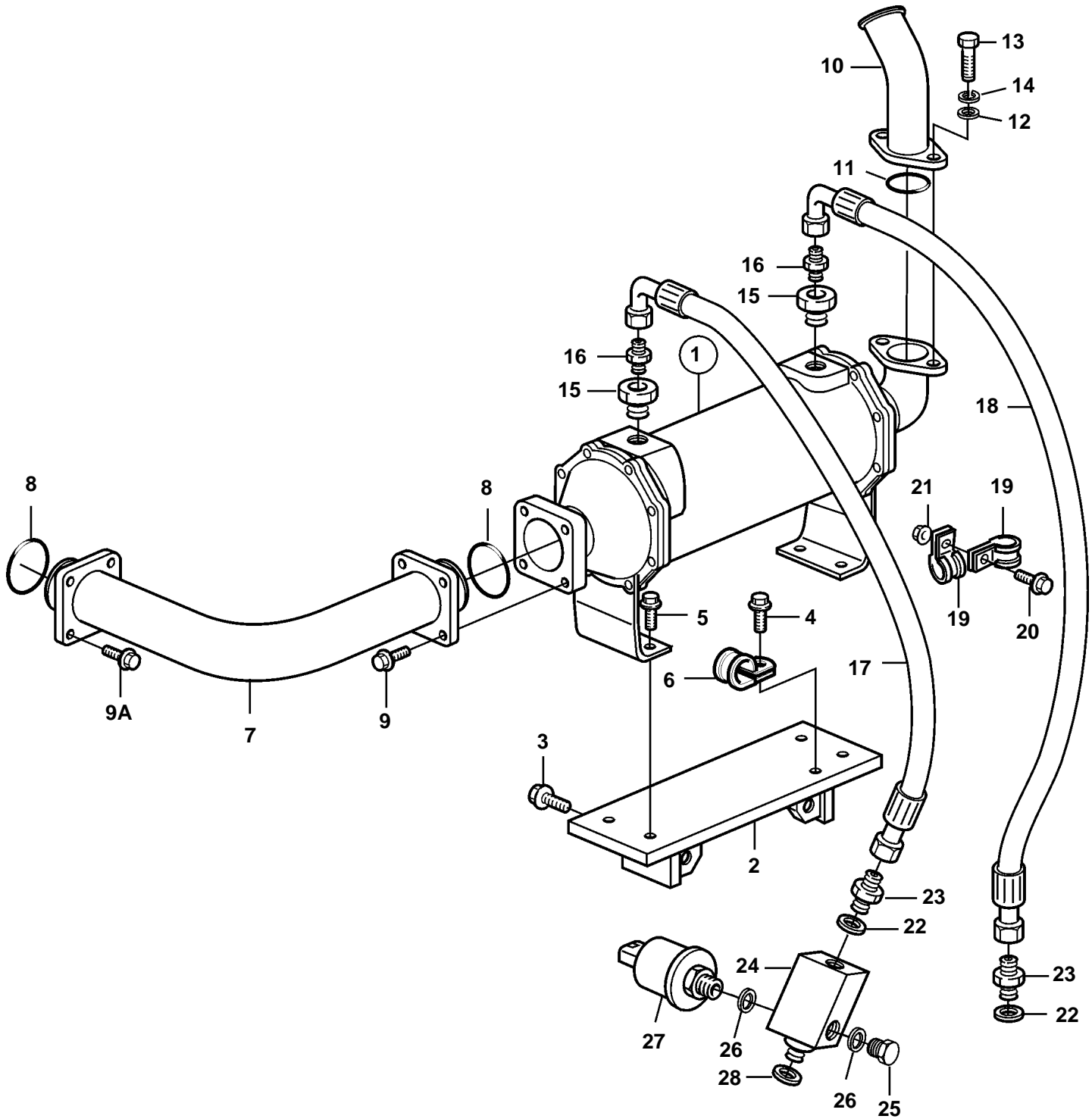


D12C-A MP, D12D-A MP



17847

## D12C-A MP, D12D-A MP

REF	PART NO.	QTY	DESCRIPTION	SEE SEC.	NOTES
1		1	Oil cooler		
				4377	
2	863810	1	Bracket		
3	946752	2	Flange screw		
4	946441	1	Flange screw		
5	946440	4	Flange screw		
6	949746	1	Clamp, cable-sender		
7	3826637	1	Water pipe		
8	843584	2	Gasket		
9	946173	4	Flange screw		
9A	946173	4	Flange screw		
9	947760	4	Flange screw		For engines in with keel cooling.
10	3828777	1	Tube		
11	925092	1	O-ring		
12	191172	2	Washer		
13	940135	2	Hexagon screw		
14	941907	2	Spring washer		
15	949707	2	Reduction nipple		
16	981303	2	Nipple		
17	3826966	1	Hose		
18	3828375	1	Oil hose		
19	945081	2	Clamp		
20	946173	1	Flange screw		
21	945408	1	Flange nut		
22	976932	2	Gasket		
23	941751	2	Nipple		
24	3826965	1	X-nipple		
25	960632	1	Plug		
26	976931	2	Gasket		
27		1	Pressure sensor		SEE GROUP 30
28	948885	1	Gasket		