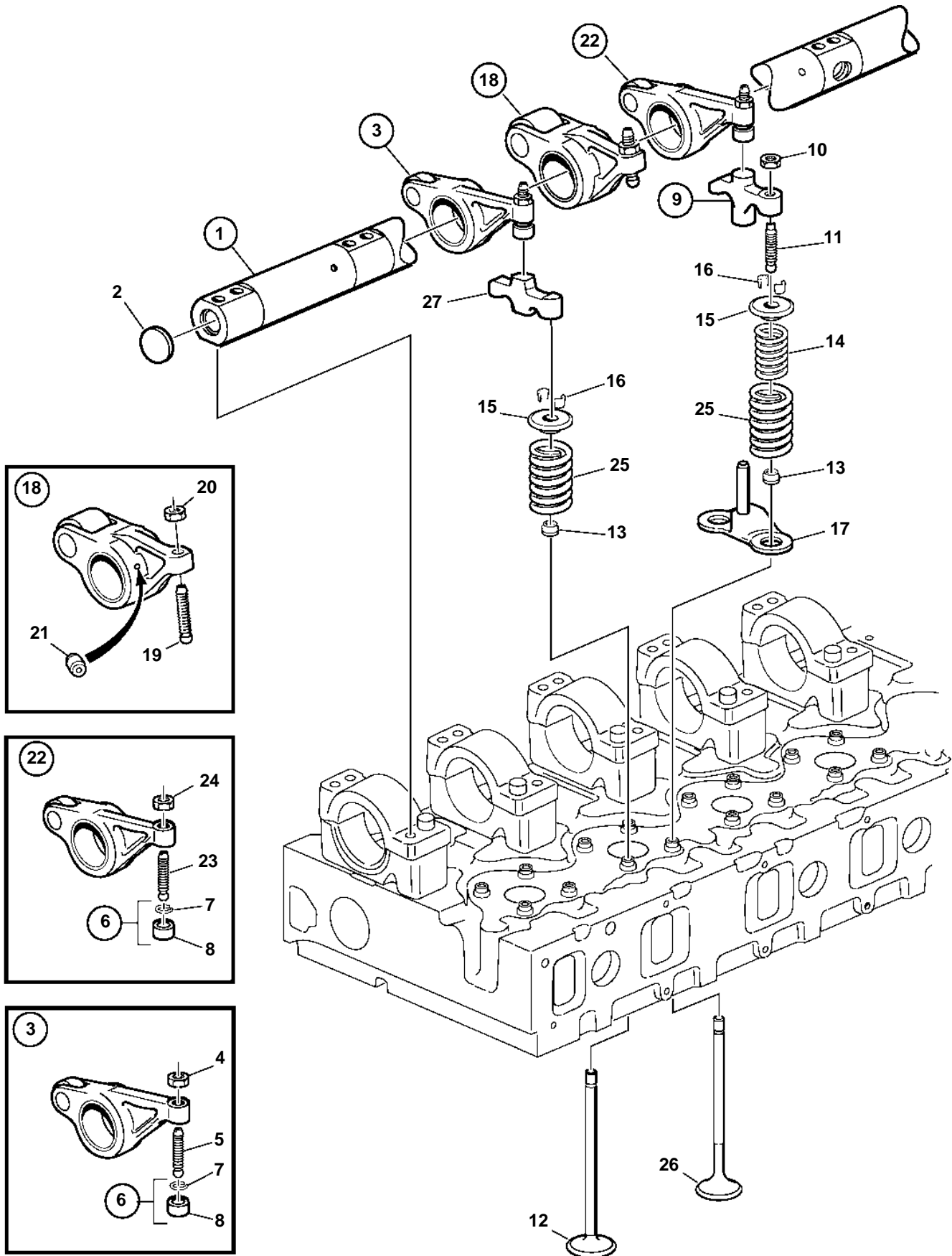


D12D-A MG, D12D-E MG



D12D-A MG, D12D-E MG

REF	PART NO.	QTY	DESCRIPTION	NOTES
1	8170158	1	Rocker arm shaft	
2	955096	2	· Expansion plug	(980176)
3	20742698	6	Rocker arm	
4	946911	1	· Hexagon nut	
5	1546458	1	· Ball stud	
6	20441753	1	· Ball socket	(1547962)
7	968757	1	· · O-ring	
8		1	· · Ball seat	
9	1547919	6	Valve yoke, exhaust	Earlier production 12 pcs.
10	946911	1	· Hexagon nut	
11	1543368	1	· Adjusting screw	
12	20463800	12	Inlet valve	
13	859171	24	Valve stem seal	
14	3183211	12	Valve spring	
15	1546487	24	Valve spring washer	
16	1677875	48	Valve collet	
17	1677963	6	Guide pin, exhaust	Earlier production 12 pcs, exhaust and inlet.
18	20746798	6	Rocker arm, injector	
19	1546775	1	· Ball stud	
20	1677396	1	· Hexagon nut	
21	3964817	1	· Jet	
22	20742703	6	Rocker arm, exhaust	
23	1546458	1	· Ball stud	
24	946911	1	· Hexagon nut	
25	3183210	24	Valve spring, outer	
26	20441486	12	Exhaust valve	
27	3183207	6	Valve yoke, intake	