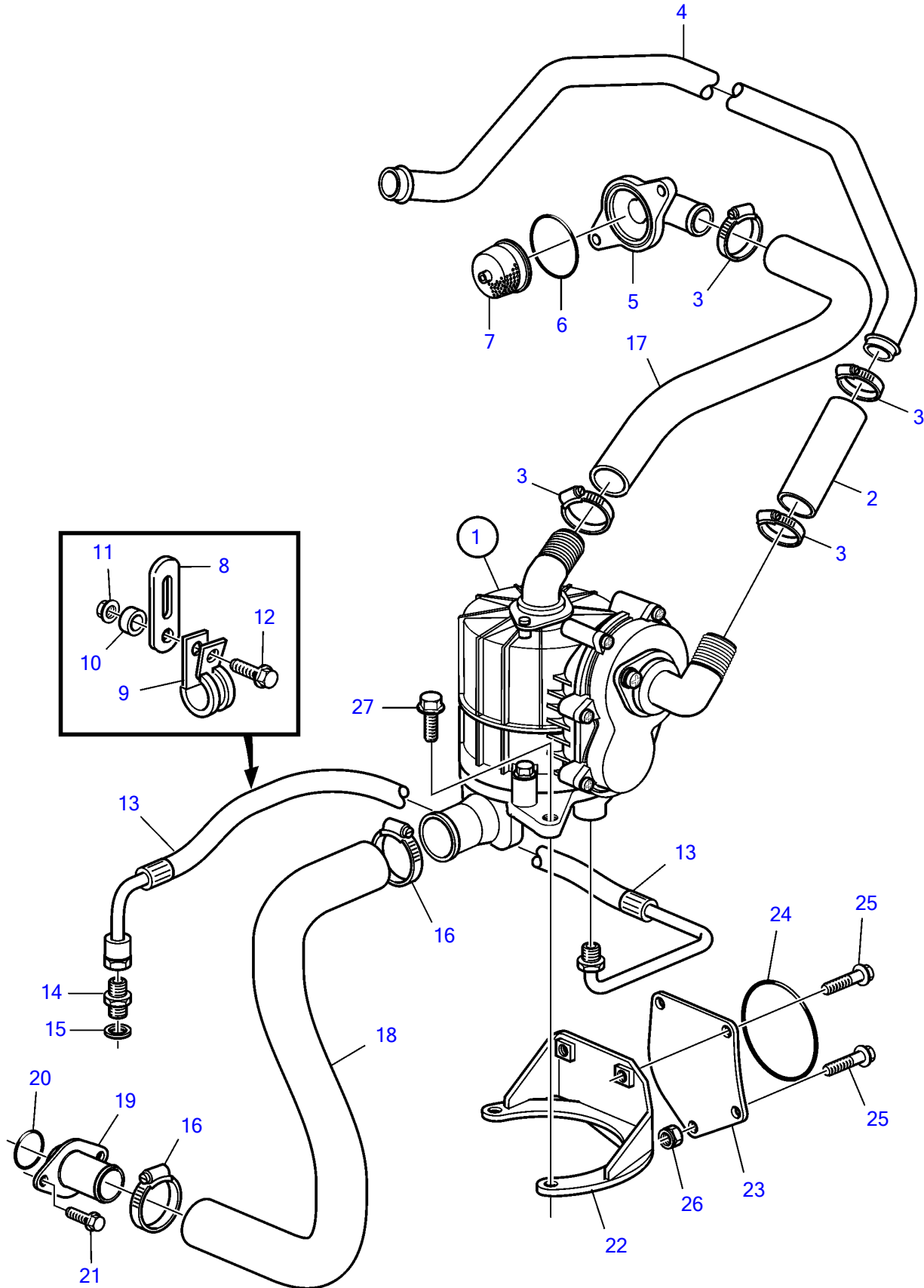


D12D-A MG, D12D-E MG



D12D-A MG, D12D-E MG

REF	PART NO.	QTY	DESCRIPTION	NOTES
1	3888808	1	Separator	(3885440)
2	973972	X	Hose	L=80mm
3	853548	4	Hose clamp	
4	3589035	1	Pipe	
5	3827462	1	Hose connection	
6	3165097	1	Sealing ring	
7	3165095	1	Cup	
8	965540	1	Bracket	
9	949747	1	Clamp	
10	191172	1	Washer	
11	945408	1	Flange nut	
12	946440	1	Flange screw	
13	3588722	1	Oil hose	
14	984716	1	Nipple	
15	11994	1	Gasket	
16	961670	2	Hose clamp	
17	3587290	1	Hose	
18	3587291	1	Oil hose	
19	20462497	1	Connection pipe	
20	20555696	1	Sealing ring	(421629)
21	946440	2	Flange screw	
22	3587773	1	Bracket	
23	3587293	1	Cover	
24	948888	1	O-ring	
25	965197	4	Flange screw	
26	971096	2	Flange nut	
27	945444	3	Flange screw	