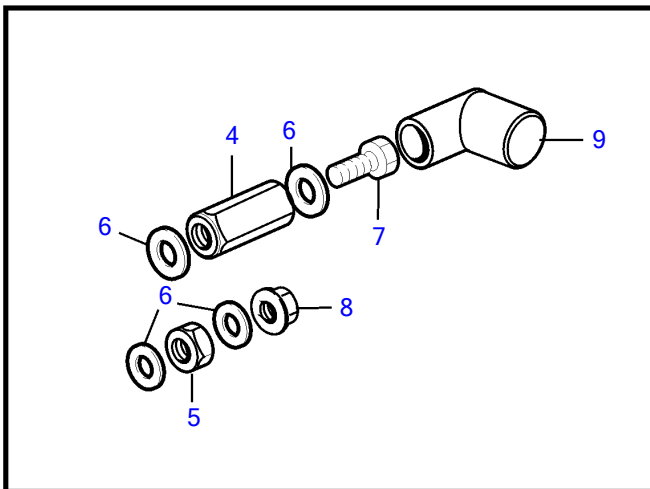
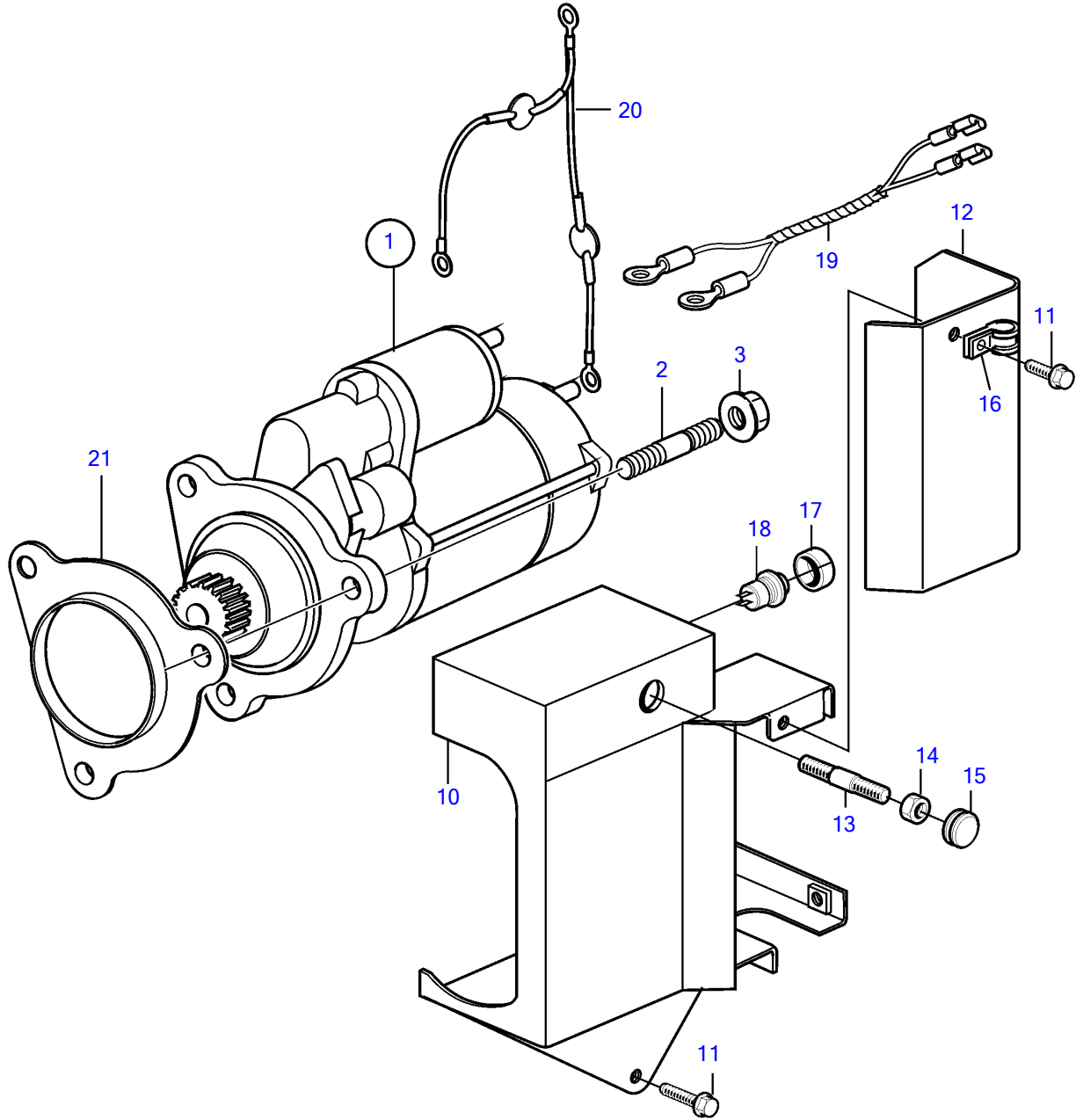


D12D-A MG, D12D-E MG



26017

D12D-A MG, D12D-E MG

REF	PART NO.	QTY	DESCRIPTION	SEE SEC.	NOTES
1	874468	1	Starter motor		Replaced by 3801292
	3803872	1	Starter motor, exch, exch		Replaced by 3801292
			.		
			.	5853	
	3801292	1	Starter motor, exch		Replaced by 3595446
	3595446	1	Starter motor		
	3801292	1	Starter motor, exch, exch		
2	953098	3	Stud		
3	971096	3	Flange nut		
4	857180	1	Nut		M10x32mm
5	971071	1	Hexagon nut		M10
6	941908	4	Spring washer		
7	946670	1	Flange screw		
8	971095	1	Flange nut		
9	855798	1	Protecting sleeve		
10	(3832640)	1	Protecting casing		Obsolete part
11	946440	4	Flange screw		
12	3832642	1	Protecting casing		
13	980289	1	Stud		
14	945408	1	Flange nut		
15	94081	1	Plug		
16	949747	1	Clamp		
17	837533	1	Rubber cap		
18	843684	1	Button		
19	874581	1	Wiring harness		
20	21546674	1	Cable kit		
21	3888763	1	Gasket		