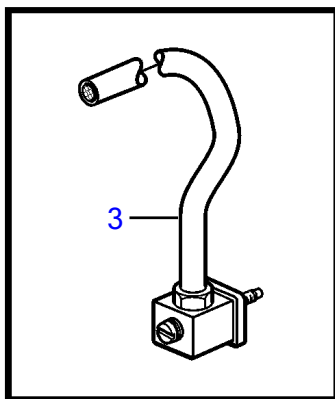
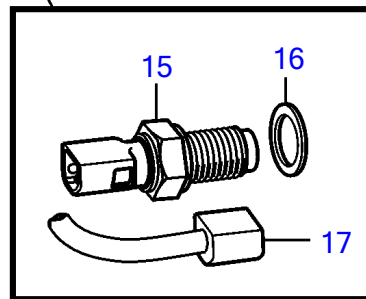
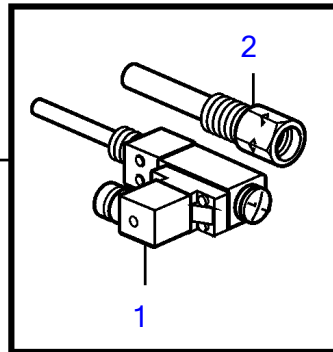
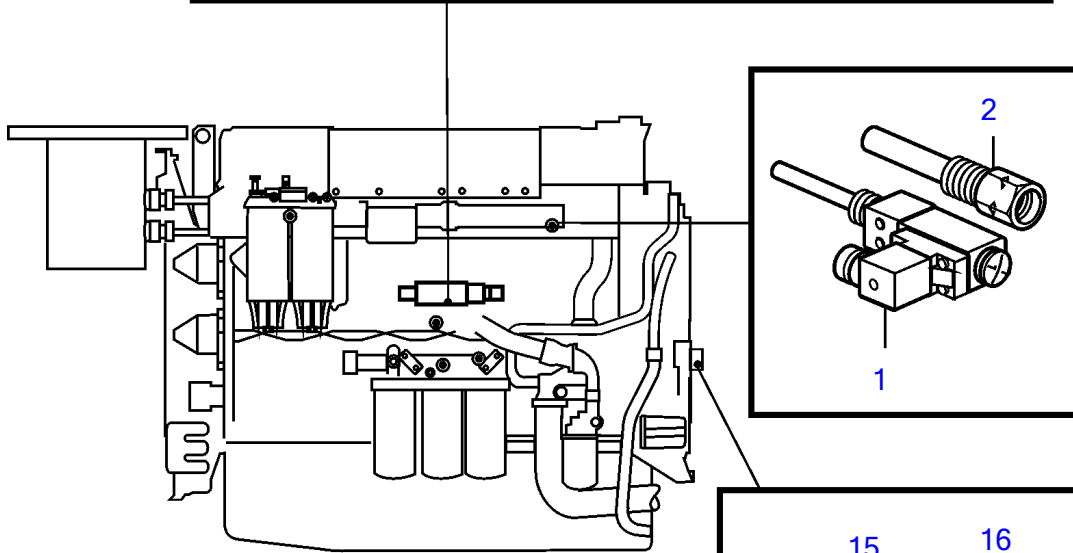
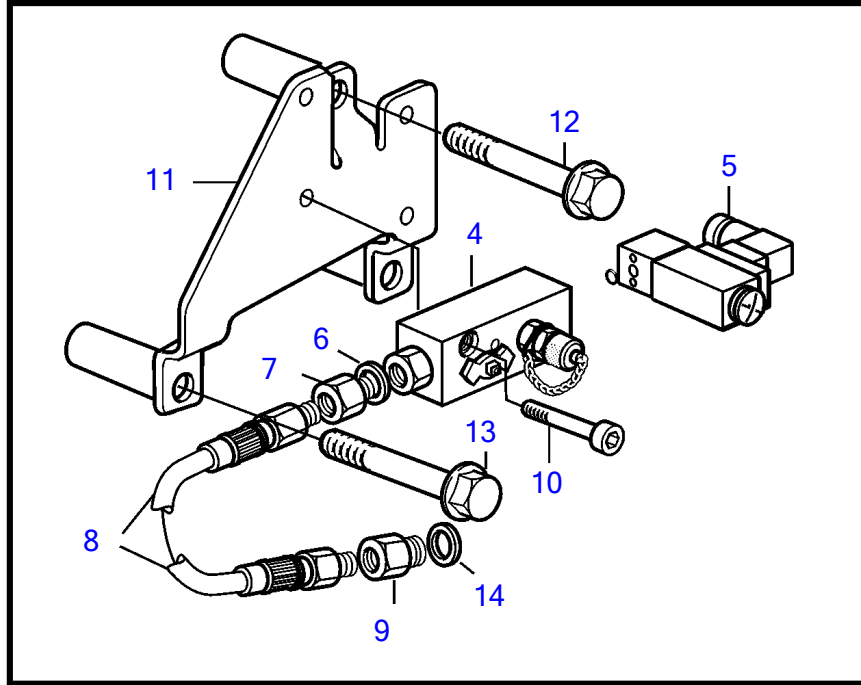


D12D-A MG, D12D-E MG



D12D-A MG, D12D-E MG

REF	PART NO.	QTY	DESCRIPTION	NOTES
1	881869	1	Thermo monitor, coolant water/oil temp.	
2	873715	1	Sleeve	
3	3588561	2	Wiring harness	L=1,0m, Extension cable for sensors, shut down.
	3588563	X	Wiring harness	L=2,0m, Extension cable for sensors, shut down., (881879)
4	3831442	1	Block	
5	881871	1	Pressure monitor, coolant water/oilpressure	0-4bar
6	18817	1	Gasket	
7	957030	1	Nipple	
8	3835281	1	Oil hose	
9	16381	1	Reduction nipple	
10	947671	2	Hex. socket screw	
11	3832416	1	Bracket	
12	965217	1	Flange screw	L=65mm
13	965182	2	Flange screw	L=80mm
14	11998	1	Gasket	
15	862251	1	Tachometer sensor	
16	948884	1	Gasket	
17	3819589	1	Wiring harness	